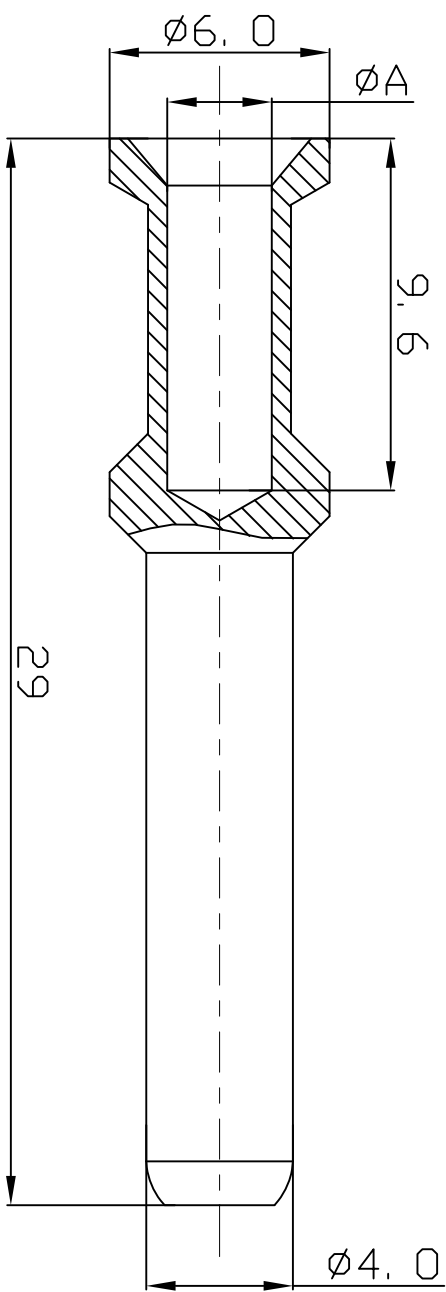


REVISION RECORD				
REV	ECN	DESCRIPTION	DRFT	DATE

Contacts, Gold-plated	(ØA)	Wire gauge		Recommended stripping length
		(mm <sup>2</sup> )	(AWG)	
Type of products				
40A-GM-1.5	1.75	1.5	16	9.0mm
40A-GM-2.5	2.25	2.5	14	9.0mm
40A-GM-4.0	2.85	4.0	12	9.6mm
◆ 40A-GM-6.0	3.5	6.0	10	9.6mm
40A-GM-10	4.3	10.0	8	12mm



- Crimp contacts
01. Material :Copper alloy
  02. Surface :Gold-plated
  03. Contact resistance :  $\leq 0.3m\Omega$
  04. Terminal :Crimp connection
  05. Wire gauge : 1.5-6mm<sup>2</sup> (AWG 16-10)
  06. Rohs Compliance

DETACHED LISTS			
PART NO.:	/	NAME:	<b>DEGSON</b> NINGBO DEGSON ELECTRICAL CO.,LTD 宁波高松电子有限公司
APPD:		TITLE:	40A-Male Contacts(Gold-plated)
CHKD:		DRAWING NO.:	/
DRFT:	Mr. Yang 2016.08.08	DO NOT SCALE DRAWING	SCALE
THIRD ANGLE PROJECTION		1/1	5:1