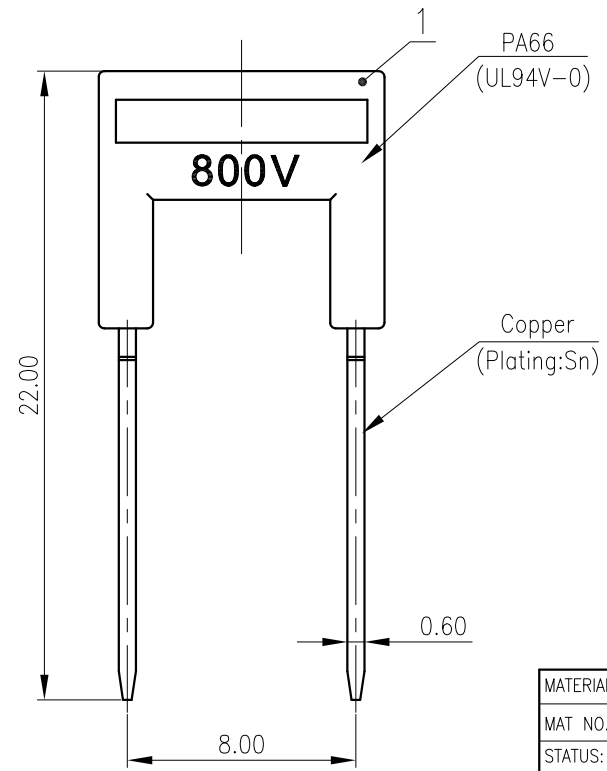
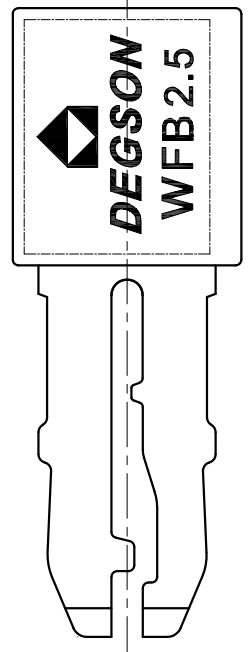
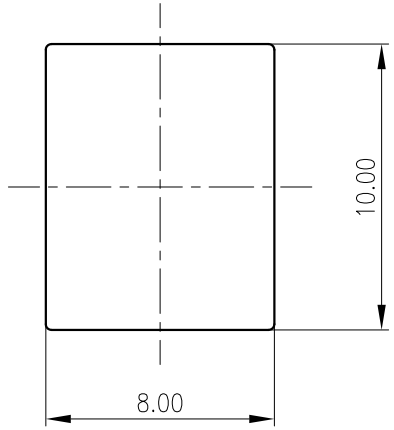


A

B

C

D



未注公差/General tolerances(mm)														
0	>3	>6	>10	>18	>30	>50	>80	>120	>180	>250	>315	>400	>500	0.1/10 ±2'
~3	~6	~10	~18	~30	~50	~80	~120	~180	~250	~315	~400	~500		
±0.12	±0.18	±0.22	±0.26	±0.31	±0.37	±0.57	±0.80	±0.93	±1.05	±1.15	±1.60	±2.20	±2.50	

1	WFB2.5		
ITEM	NAME OF PART	MATERIAL	NOTES
	间距/Pitch(mm)/线数范围/Poles		8.00/01P
	使用温度范围/Operating temperature(°C)		-40~+105
	符合RoHS环保要求/Conform to RoHS		Yes

MATERIAL:		SURFACE:	
MAT NO.:	/	宁波高松电子有限公司 NINGBO DEGSON ELECTRICAL CO., LTD	
STATUS:	/		
APPD:	Li GL 2020.06.06	NAME:	
CHKD:	Mao J 2020.06.06	WFB2.5-01P-1Y-00A(H)	
DRFT:	Feng X 2020.05.26	DRAWING NO.:	WFB2.5-C01
REV	TO	SCALE:	4:1
SIZE: A4	mm (inch)	TYPE:	CUSTOMER DRAWING
		SHEET	1/1

REV	ECN	DESCRIPTION	DRFT	DATE

1

2

3

4

5

6