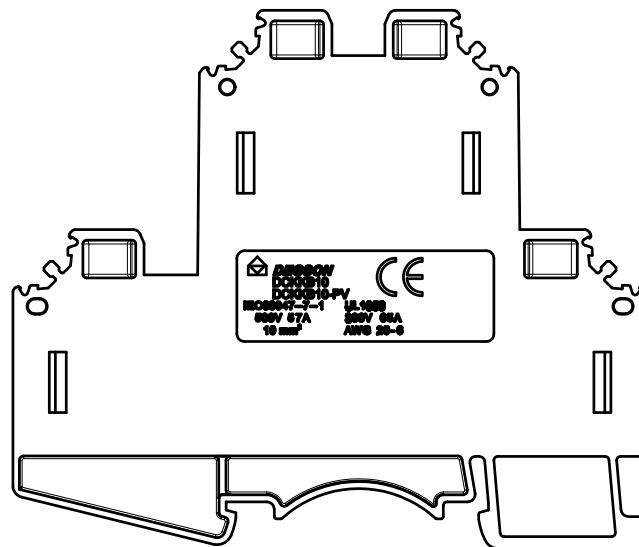
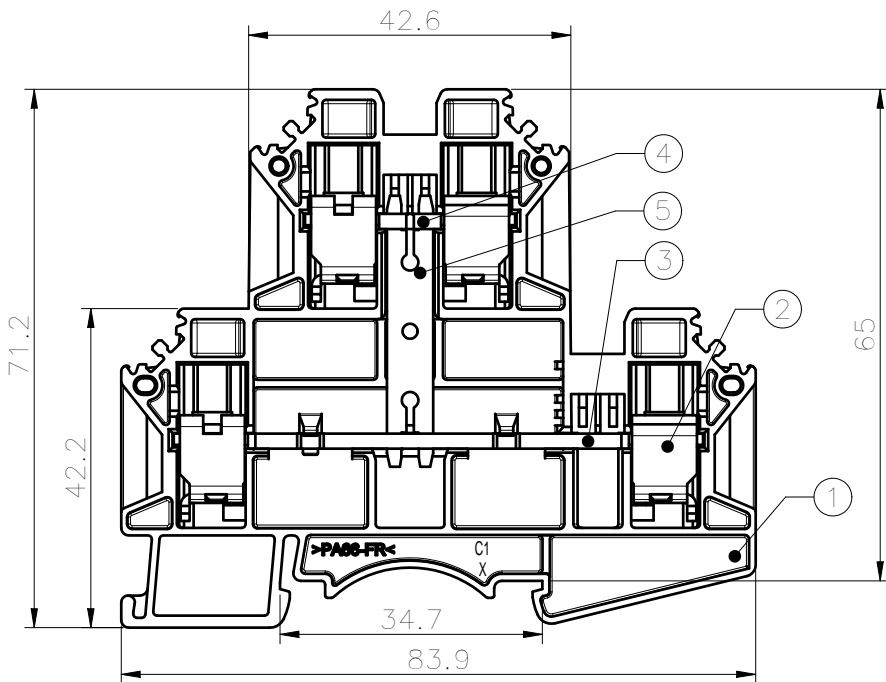
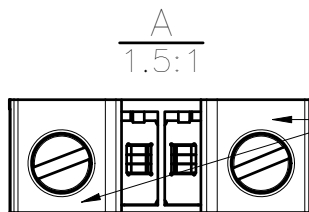
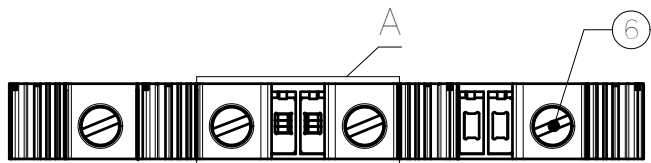


未注公差/General tolerances(mm)

0	>3	>6	>10	>18	>30	>50	>80	>120	>180	>250	>315	>400	>500	>500	0.1/10 ±2'
~3	~6	~10	~18	~30	~50	~80	~120	~180	~250	~315	~400	~500	~500		
±0.12	±0.18	±0.22	±0.26	±0.31	±0.37	±0.57	±0.80	±0.93	±1.05	±1.15	±1.60	±2.20	±2.50		



DCKKB10-PV-01P-1Y-00A(H)

 UL4001

 10KV 67A

 10mm²

 UL4001

 10KV 67A

 AWG 20-6

UL 标准/UL Standard:	B	C	D
额定电压/电流/Rated Voltage(V)/Current(A)	300V/65	300/65	600/5
IEC 标准/IEC Standard:			
过压类别/Overvoltage Category/污染等级/Pollution Degree	III/3	III/2	II/2
额定电压/电流/Rated Voltage(V)/Current(A)	500/57	/	/
额定脉冲电压(KV)/Rate Impulse Voltage(KV)	6	/	/
螺丝扭矩/Torque Tightening(N·m/Lb.in)	M4, 1.54/14.0		
线径范围(硬线和软线)/Wire Range(rigid and flexible)(AWG/mm ²)	20~6 / 0.5~10		
间距/Pitch(mm)/线数范围/Poles	10.0/N=01P		
剥线长度/Stripping length(mm)	10~11		
使用温度范围/Operating temperature(°C)	-40~+105		
符合 RoHS 环保要求/Conform to RoHS	Yes		
标准颜色编号/Standard color number: PANTONE / RAL	/		

6	Screw	Steel	Zn_Plated
5	Current_carrier3	Copper	Sn_Plated
4	Current_carrier2	Copper	Sn_Plated
3	Current_carrier1	Copper	Sn_Plated
2	Fe_cage	Steel	Zn_Plated
1	Housing	PA66	UL94V-0
NO.	DESCRIPTION	MATERIAL NO.	NOTES

		MATERIAL: /	SURFACE: /	
APPD: Peng M 2022.08.21		MAT NO./REV: /	MAT STATUS: /	
CHKD: Gao WG 2022.08.21		NAME		
DRFT: Huang RJ 2022.08.21		DCKKB10-PV-01P-1Y-00A(H)		
DRAWING NO.	TYPE	DRAWING STATUS	SCALE	SHEET
/	CUSTOMER DRAWING	/	1:1	1/1

00	/	/	Huang RJ	2022.08.21
REV	ECN	DESCRIPTION	DRFT	DATE

Transfer or duplication of this document as well as the utilization or communication of its contents are prohibited unless explicit authorization is granted. All rights reserved for patent, utility model or design registrations. 非经本厂明确授权, 否则禁止转让、复制、利用、交加本文件内容。一经发现侵权必究, 侵权者将承担法律责任。本公司保留对涉及发明、实用新型和外观设计的所有权利。