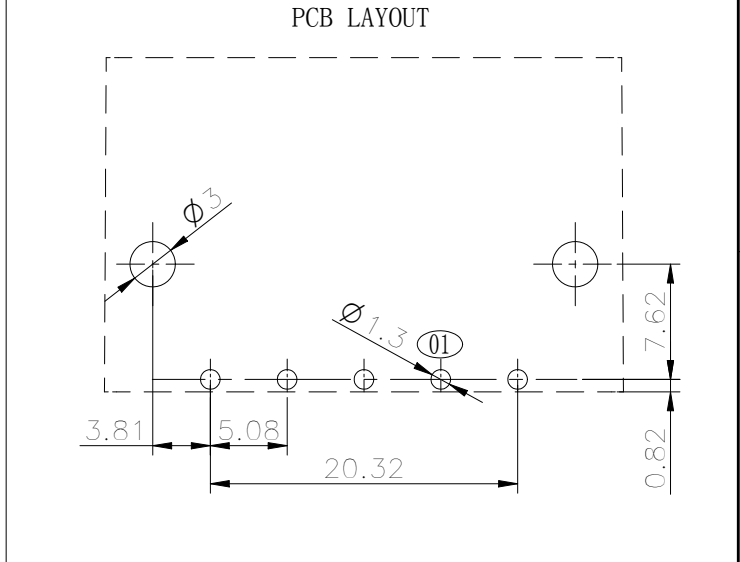


未注公差/General tolerances (mm)													0.1/10	
0	>3	>6	>10	>18	>30	>50	>80	>120	>180	>250	>315	>400		>500
±0.12	±0.18	±0.22	±0.26	±0.31	±0.37	±0.57	±0.80	±0.93	±1.05	±1.15	±1.60	±2.20	±2.50	±2'



ITEM	NAME OF PART	MATERIAL	NOTES
3	Fix Foot	Stainless steel	Sn Plated
2	Pin	Copper alloy	Sn Plated /Au Plated
1	Housing	PBT	UL 94-V0

UL 标准/UL Standard:	B	C	D
额定电压/电流/Rated Voltage (V)/Current (A)	300/14.5	/	300/10
IEC 标准/IEC Standard:			
过压类别/Overvoltage Category/污染等级/Pollution Degree	III/3	III/2	II/2
额定电压/电流/Rated Voltage (V)/Current (A)	160/16	160/16	320/16
额定脉冲电压 (KV)/Rate Impulse Voltage (KV)	4	4	4
使用温度范围/Operating temperature (°C)	-30~+120		
符合 RoHS 环保要求/Conform to RoHS	Yes		

DEGSON

APPD: 兰春华 2022.07.26
 CHKD: 龚耀志 2022.07.26
 DRFT: 周锡锦 2022.07.22

MATERIAL:	SURFACE/COLOR:		
MAT NO./REV:	MAT STATUS: 样品		
NAME	9EDGRN-5.08-05P-1Y-00A (H)		
DRAWING NO.	TYPE	DRAWING STATUS	SCALE
200058906	CUSTOMER DRAWING	已发布	2:1
SHEET		1/1	

REV	ECN	DESCRIPTION	DRFT	DATE
01		2x, 新增认证刻字, 线路板开孔由φ1.1变更为1.3	周锡锦	2022.07.22

Transfer or duplication of this document as well as the utilization or communication of its contents are prohibited unless authorized in writing by DEGSON. All rights reserved for patent, utility model or design registrations. 除专利号明确标注外, 其他内容均保留所有权利。未经授权, 禁止复制或传播。 未经授权, 禁止复制或传播。