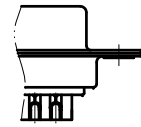
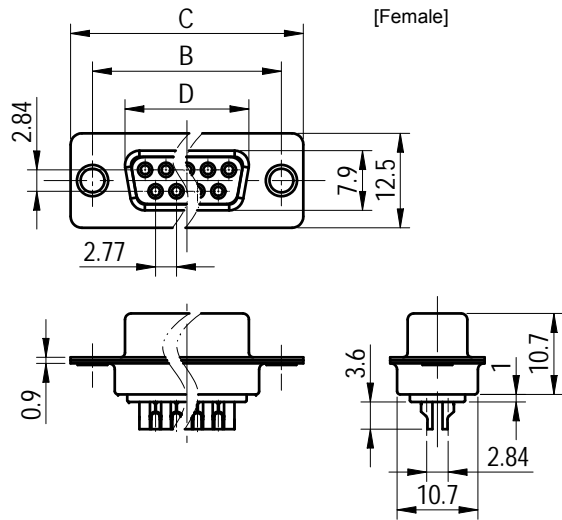
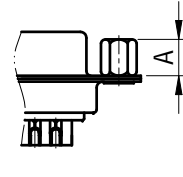


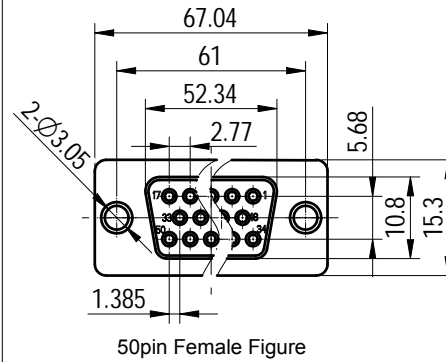
Transfer or duplication of this document as well as the utilization or communication of its contents are prohibited unless explicit authorization is granted. Violations will be liable for compensation. All rights reserved for patent, utility model or design registrations. 未经授权复制或传播本文件内容，或未经许可使用本文件内容，均属于侵权行为，公司将依法追究。保留所有权利。



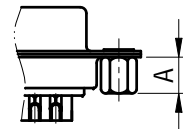
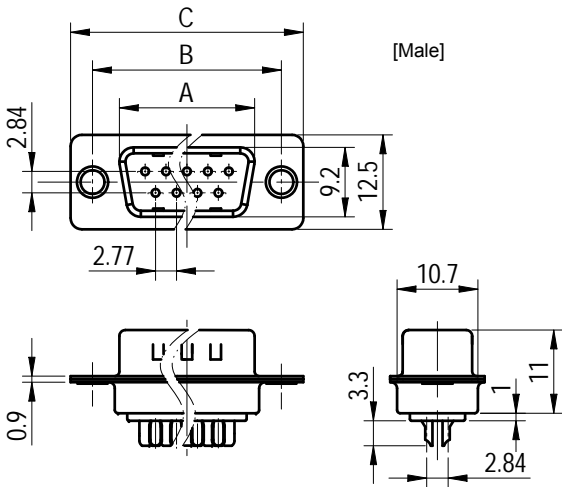
Standard



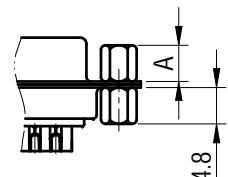
CC type



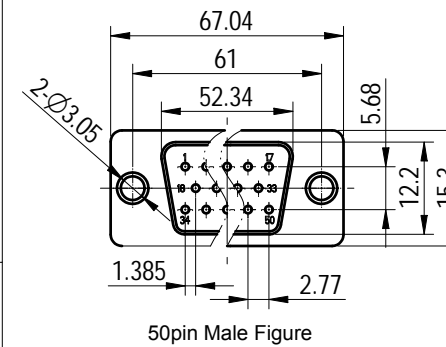
50pin Female Figure



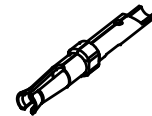
CS type



CSH type



50pin Male Figure



CT Type

NOTES:

- Electrical characteristics:
  - 1.1 Contact resistance: 20mΩ Max. Initial.
  - 1.2 Dielectric withstanding voltage: 500V AC(rms) for 1 minute.
  - 1.3 Insulation resistance: 1000MΩ Min.

- Environment characteristics:
  - 2.1. Temperature range: -40°C~+105°C.

- Materials:
  - 3.1 Insulator: PBT+Glass fiber
  - 3.2 Shell: Steel
  - 3.3 Contact: Copper alloy

4. Product number code:

DG1033 - X X X X X X X - X

Contact type(For Female)  
CT: CT type

Screw DIM. A  
S: Standard(W/O nut)  
1: 5.00 2: 3.00  
3: 5.20 4: 4.80  
5: 5.80 6: 4.00

Screw type  
S: Standard(W/O nut)  
1: CC type  
2: CS type  
3: CSH type

Contact plating  
8: Full gold flash  
Si: Selective gold flash

Shell plating  
N: Front Nickel, Back Tin

Housing color  
B: Black W: White  
U: Blue

Connector type  
M: Male  
F: Female

No. of contacts  
09, 15, 25, 37, 50

Dimension

Position	A±0.2	B±0.2	C±0.3	D
9	17.90	24.99	30.80	16.33
15	26.50	33.32	39.14	24.66
25	40.00	47.04	53.04	38.38
37	56.50	63.50	69.32	54.84



(Series Image-Reference Only)

GENERAL TOLERANCE			MATERIAL:		SURFACE/COLOR:	
X	±0.60		APPD: 兰春华	2023.07.31	MAT NO./REV:	/ 00
XX	±0.38	CHKD: 陈招	2023.07.28	NAME		
	±0.25	DRFT: 唐本恒	2023.07.27	DG1033-XXXXXXX-X		

REV	ECN	DESCRIPTION	DRFT	DATE		DRAWING NO.	TYPE	DRAWING STATUS	SCALE	SHEET
00			唐本恒	2023.07.27	A4	200035035	CUSTOMER DRAWING	已发布	1:1	1/1