

EMP-350A-D-D-OR-XX

7

6

6. Color  
 OR--orange  
 7. HVIL  
 XX=HV or 00  
 HV--with interlock pin  
 00--without interlock pin

未注公差/General tolerances (mm)												0.1/10 ±2'	
0	>3	>6	>10	>18	>30	>50	>80	>120	>180	>250	>315		>400
~3	~6	~10	~18	~30	~50	~80	~120	~180	~250	~315	~400	~500	
±0.12	±0.18	±0.22	±0.26	±0.31	±0.37	±0.57	±0.80	±0.93	±1.05	±1.15	±1.60	±2.20	±2.50

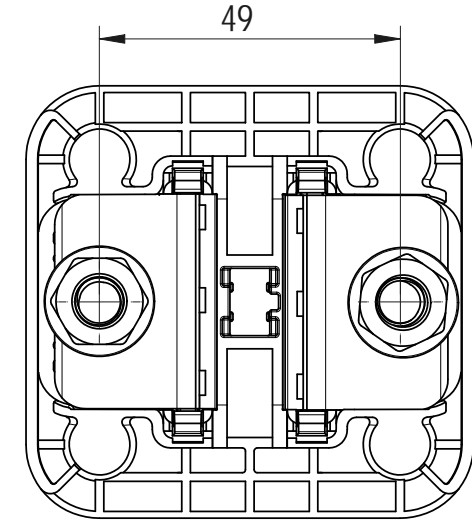
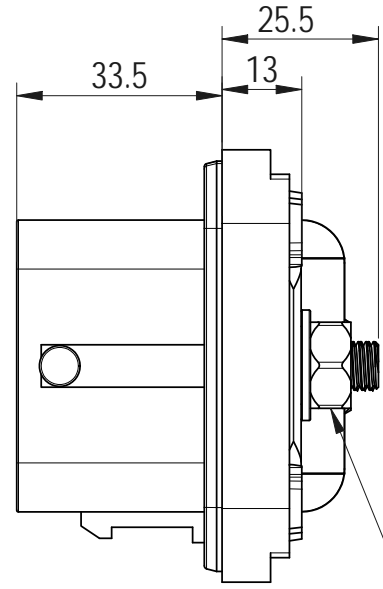
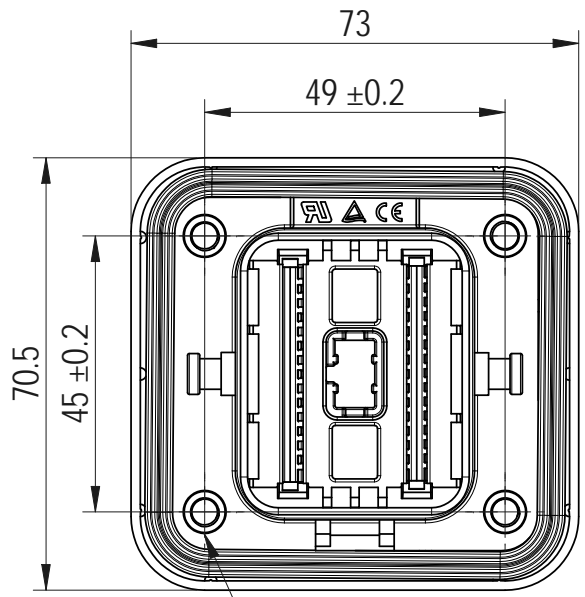
技术要求/Technical requirements:	
额定电压电流/Rated Voltage/Current	POWER:1500V/350A HVIL:220V/5A
接触阻抗/Contact resistance	≤0.5mΩ
绝缘电阻/Insulation resistance	5000 MΩ MIN (Drying) 200MΩ MIN (RH 95%)
耐电压/Withstanding voltage	POWER CONTACT: 6800V AC; HVIL CONTACT: 600V AC
防水等级/Levels of protection	IP68 (Matching state)
盐雾要求/Salt Spray	240h (Matching state)
机械寿命/Mechanical cycle	200 Cycling
阻燃等级/Flame retardant rating	UL94-V0
使用温度范围/Operating temperature(° C)	-40~+125
符合RoHS环保要求/Conform to RoHS	Yes
认证信息/Certification	UL、TUV

Transfer or duplication of this document as well as the utilization or communication of its contents are prohibited unless explicit authorization is granted. Violations will be liable for compensation. All rights reserved for patent, utility model or design registration. 未经许可复制或传播本文件内容，或擅自使用本文件内容，均属于侵权行为，侵权者将承担法律责任。 版权所有，保留所有权利。 未经许可复制或传播本文件内容，或擅自使用本文件内容，均属于侵权行为，侵权者将承担法律责任。 版权所有，保留所有权利。

00	ECN	/	Chen Q	2024.4.17	DRAFT	Chen Q	2024.1.17	DRAWING NO.	TYPE	DRAWING STATUS	SCALE	SHEET
REV	ECN	DESCRIPTION	DRFT	DATE	④	A3	(inch)	图号	图纸类型	图纸状态	1:1	1/1

	MATERIAL: 材质	SURFACE/COLOR: 表面处理
	MAT NO./REV: 物料编码 / 版本	MAT STATUS: 物料状态
APPD:	NAME	
CHD:	EMP-350A-D-D-OR-XX	

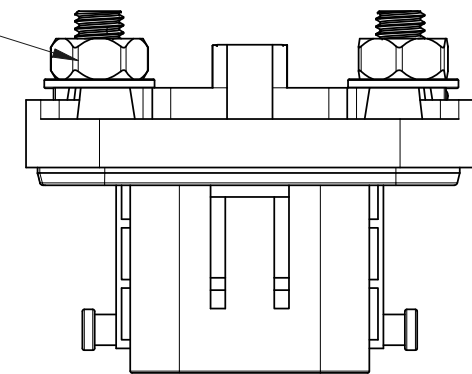
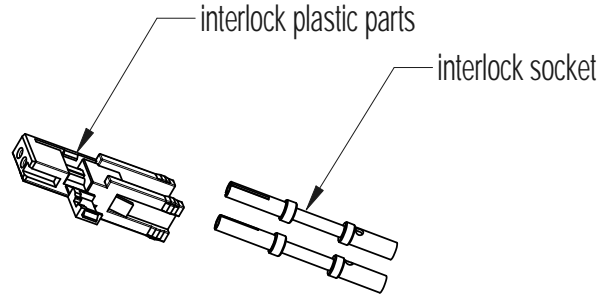
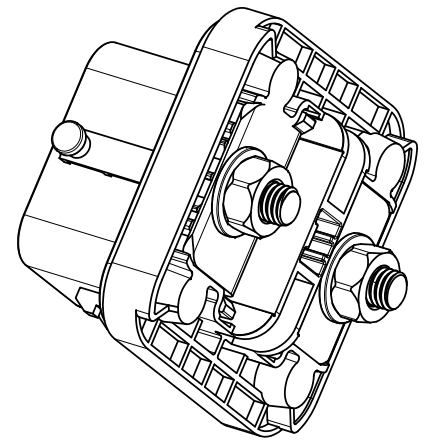
未注公差/General tolerances(mm)										0.1/10 ±2°			
0	>3	>6	>10	>18	>30	>50	>80	>120	>180		>250	>315	>400
~	~	~	~	~	~	~	~	~	~	~	~	~	~
±0.12	±0.18	±0.22	±0.26	±0.31	±0.37	±0.57	±0.80	±0.93	±1.05	±1.15	±1.60	±2.20	±2.50



4×M5\*0.8  
TORQUE:1.8-2.0 N.M

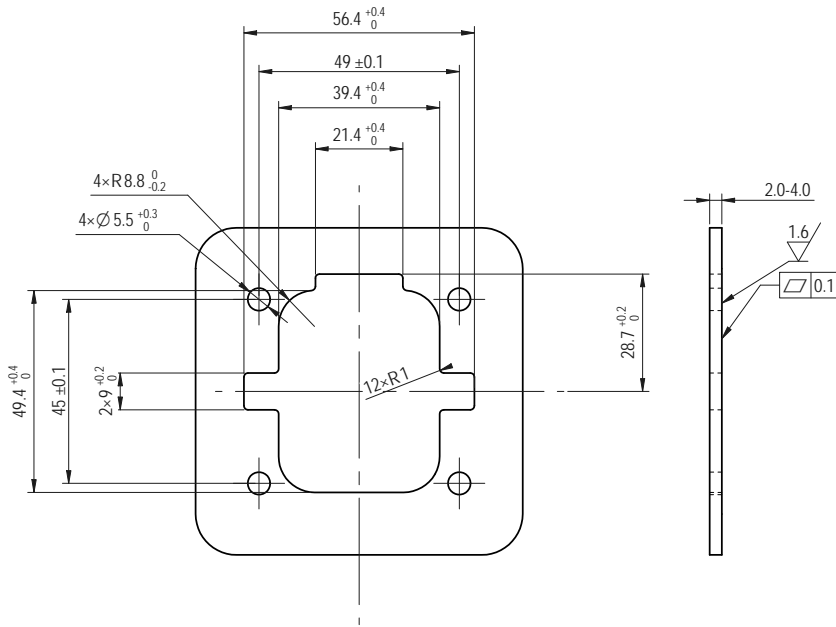
2×M8  
TORQUE:7.0-8.0 N.M

Nut removed, plug not compatible

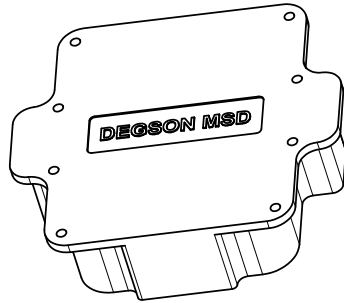


<b>DEGSON</b>		MATERIAL: 材质	SURFACE/COLOR: 表面处理	
APPD:		MAT. NO./REV: 物料编码 / 版本	MAT STATUS: 物料状态	
CHKD:		NAME		
DRAFT: Chen Q 2024.1.18		EMS-350A-120-S-OR-XX		
REV	ECN	DESCRIPTION	DRAFT	DATE
00	ECN	/	Chen Q	2024.1.18
1			Chen Q	2024.1.18
43		DRAWING NO. 图号	TYPE 图纸类型	DRAWING STATUS 图纸状态
		SCALE 1.2:1	SHEET 1/2	

Transfer or duplication of this document as well as the utilization or communication of its contents are prohibited unless explicit authorization is granted. Violations will be liable for compensation. All rights reserved for patent, utility model or design registrations. 未经授权复制或传播本文件，或在本文件内容基础上进行复制或传播，均属于侵权行为，公司将依法追究。保留所有权利。



Recommended panel

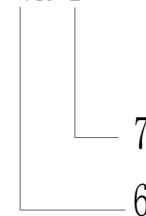


Socket dust cover :needs to be ordered separately

未注公差/General tolerances (mm)											0.1/10 ±2°		
0 ~ 3	>3 ~ 6	>6 ~ 10	>10 ~ 18	>18 ~ 30	>30 ~ 50	>50 ~ 80	>80 ~ 120	>120 ~ 180	>180 ~ 250	>250 ~ 315		>315 ~ 400	>400 ~ 500
±0.12	±0.18	±0.22	±0.26	±0.31	±0.37	±0.57	±0.80	±0.93	±1.05	±1.15	±1.60	±2.20	±2.50

技术要求/Technical requirements:	
额定电压电流/Rated Voltage/Current	POWER:1500V/350A HVIL:220V/5A
接触阻抗/Contact resistance	≤0.5mΩ
绝缘电阻/Insulation resistance	5000 MΩ MIN (Drying) 200MΩ MIN (RH 95%)
耐电压/Withstanding voltage	POWER CONTACT: 6800V AC; HVIL CONTACT 600V AC
防水等级/Levels of protection	IP68 (Matching state)
盐雾要求/Salt Spray	240h (Matching state)
机械寿命/Mechanical cycle	200 Cycling
阻燃等级/Flame retardant rating	UL94-V0
使用温度范围/Operating temperature(° C)	-40~+125
符合RoHS环保要求/Conform to RoHS	Yes
认证信息/Certification	UL、TUV

EMS-350A-120-S-OR-f



- 6. Color  
OR--orange
- 7. HVIL  
XX=HV or 00  
HV--with interlock pin  
00--without interlock pin

Transfer or duplication of this document or its contents without the written authorization of Degson is prohibited. All rights reserved for patent. 未经授权复制或传播本文件及其内容，未经 Degson 书面许可，是严格禁止的。保留所有权利，侵权必究。

		MATERIAL: 材质	SURFACE/COLOR: 表面处理	
APPD:		MAT NO./REV: 物料编码 / 版本		MAT STATUS: 物料状态
CHD:		NAME		
DRAFT: Chen Q		2024.1.18		
REV		DRAWING NO.		TYPE
ECN		图号		图纸类型
/		DATE		DRAWING STATUS
Chen Q		2024.1.18		SCALE
/		DATE		SHEET
/		DATE		2/2

00	ECN	/	Chen Q	2024.1.18	DRAFT	Chen Q	2024.1.18	DRAWING NO.	TYPE	DRAWING STATUS	SCALE	SHEET
REV	ECN	DESCRIPTION	DRAFT	DATE	图号	图纸类型	图纸状态	1:1	2/2			