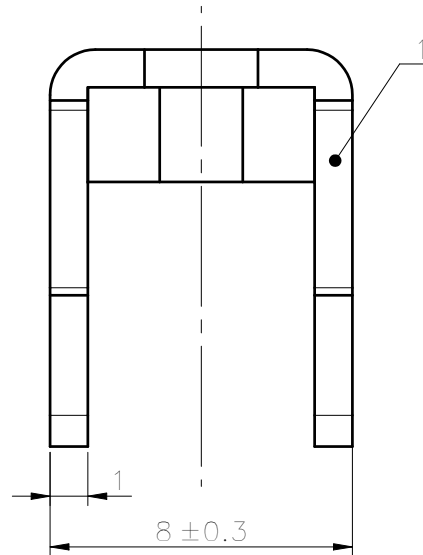
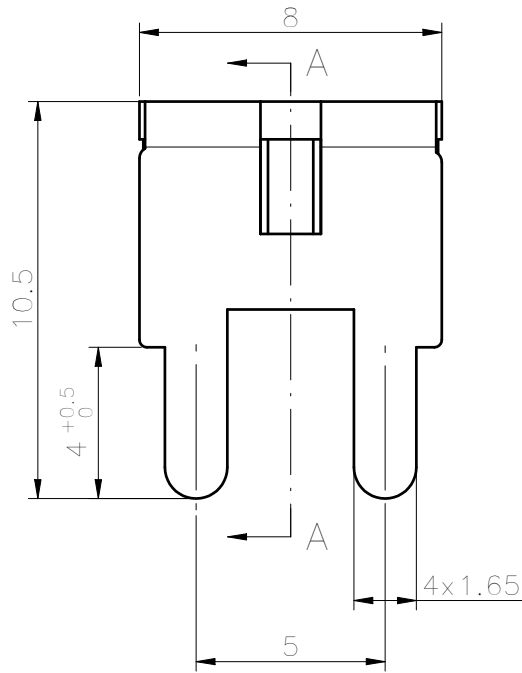
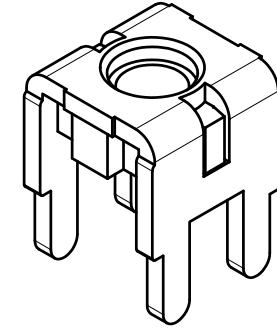
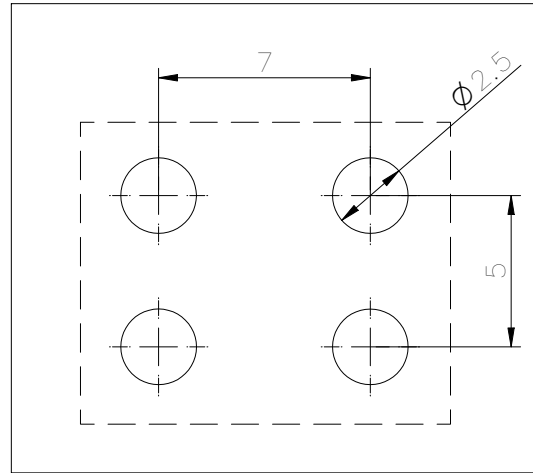
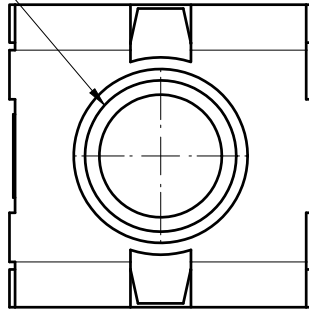


未注公差/General tolerances(mm)													0.1/10	
0 ~ 3	>3 ~ 6	>6 ~ 10	>10 ~ 18	>18 ~ 30	>30 ~ 50	>50 ~ 80	>80 ~ 120	>120 ~ 180	>180 ~ 250	>250 ~ 315	>315 ~ 400	>400 ~ 500		>500
±0.12	±0.18	±0.22	±0.26	±0.31	±0.37	±0.57	±0.80	±0.93	±1.05	±1.15	±1.60	±2.20	±2.50	±2'

PCB LAYOUT

M4-6H



1	Pin header	Copper alloy	Sn Plated
ITEM	NAME OF PART	MATERIAL	NOTES
额定电流/Rated Current(A)			40A
螺丝扭矩/Torque Tightening(N·m/Lb.in)			M4, 1.2/10.6
符合 RoHS 环保要求/Conform to RoHS			Yes

DEGSON		MATERIAL: C28000 (H62)/HV120 ±20	SURFACE/COLOR:	
APPD: 朱伟明 2021.12.16		MAT NO./REV: 10900000171-1 / 01		
CHKD: 曹利彬 2021.12.09		MAT STATUS: 批量, 新物料		
DRFT: 岑昕 2021.12.08		NAME: K128-00Z (H)		
DRAWING NO.	TYPE	DRAWING STATUS	SCALE	SHEET
200043670	CUSTOMER DRAWING	已发布	2:1	1/1

00			岑昕	2021.12.08
REV	ECN	DESCRIPTION	DRFT	DATE

Transfer or duplication of this document as well as the utilization or communication of its contents are prohibited unless explicit authorization is granted. All rights reserved for patent, utility model or designs registrations. 非经书面授权, 严禁禁止转让、复制、利用、交流本文件的内容。一经发现侵权必究, 侵权者将承担法律责任。本公司保留对涉及发明、实用新型和外观设计的所有权利。