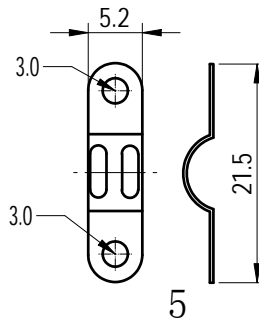
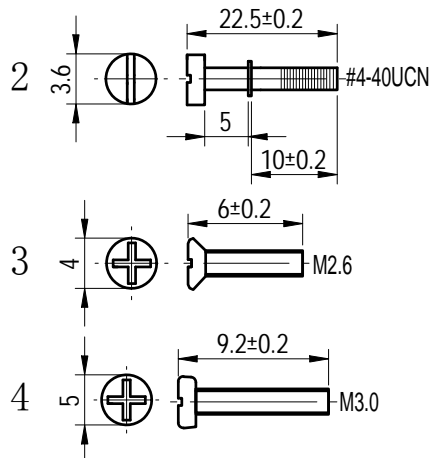
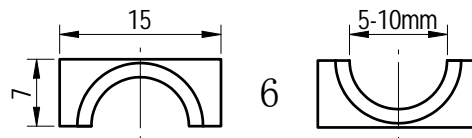
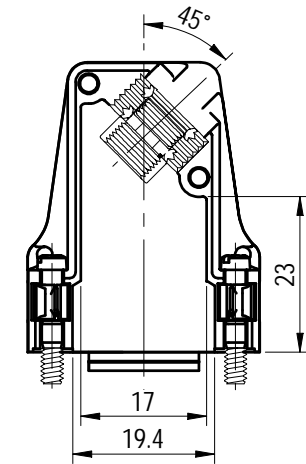
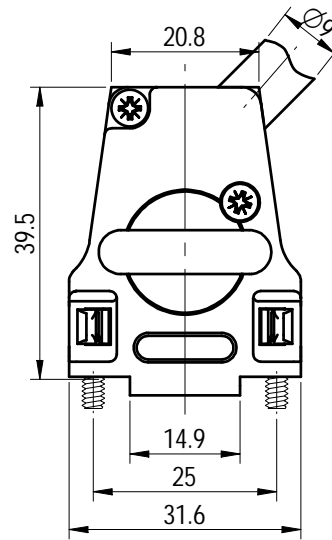
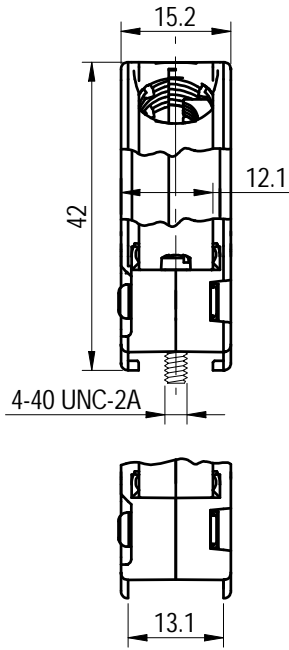


RoHS Compliant



Material description:

- 1.Shell:zinc alloy, nickel plated surface.
- 2.Half-tooth screw:12L14 iron-nickel plating #4-40UCN.
- 3.Flat head screw:Fe-Ni plated M2.6 teeth.
- 4.Round head screw:Fe-Ni plated M3.0 teeth.
- 5.Curved metal clamp:Nickel plating on zinc alloy surface.
- 6.Aperture clamp:Nickel plating on zinc alloy surface.

Tolerance Unspecified
 X.X ±0.38
 X.XX ±0.25
 X.XXX ±0.15
 X° ±2°
 X.X° ±1°

REV	ECN	DESCRIPTION	DRFT	DATE
00				

		MATERIAL:	SURFACE/COLOR:		
		MAT NO./REV:	MAT STATUS: 批量		
APPD:		NAME			
CHKD:		DG. 23012 45度 FM型DB 09P金属壳			
DRFT:	唐本恒	2023. 9. 11	DRAWING NO.	TYPE	DRAWING STATUS
			200035876	CUSTOMER DRAWING	work
			SCALE	SHEET	
			2:1	1/1	

Transfer or duplication of this document as well as the utilization or communication of its contents are prohibited without the prior written consent of DEGSON. 未经授权，禁止复制或传播本文件内容，否则将承担法律责任。 All rights reserved for patent. 所有权利保留，未经许可，不得擅自复制或传播本文件内容。