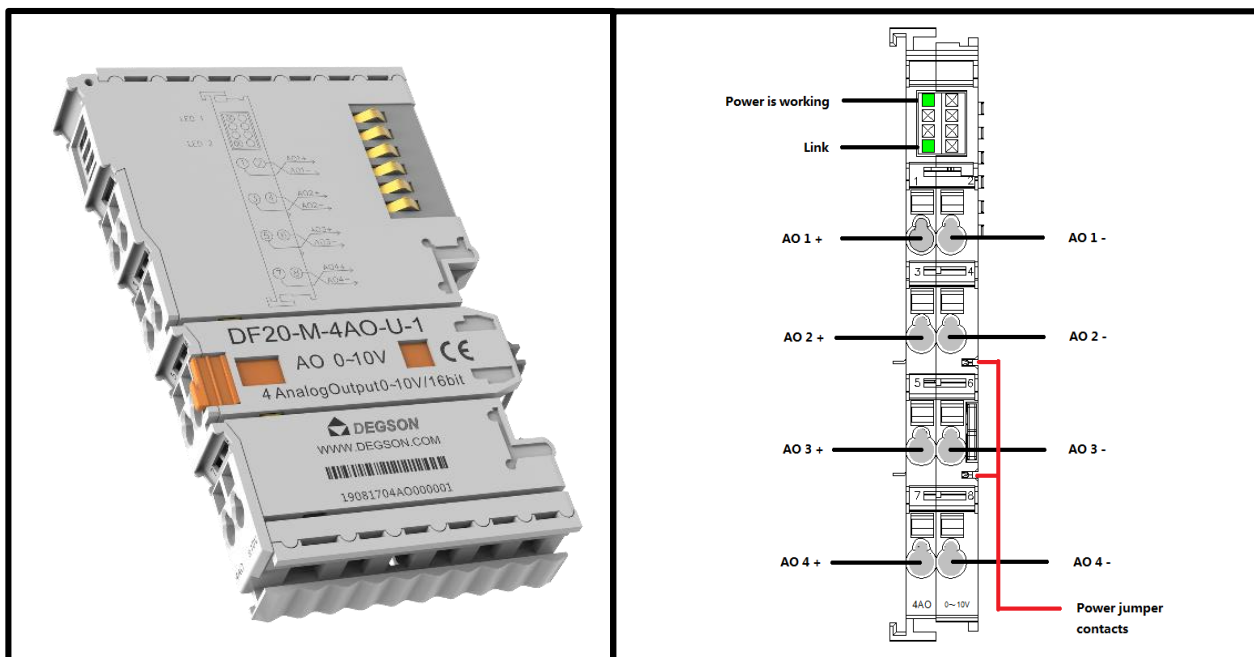


◆ 4 channel Analog output /voltage type /0~10V (DF20-M-4AO-U-1)

- This analog output module generates standard 0~10 V signals.
- 4 channel Analog output , voltage type .
- The two LED indicators respectively indicate the normal operation and communication of the module.
- Field and system levels are Magnetic isolated.
- Transmitted with a resolution of 16 bits.
- Protection level IP20.

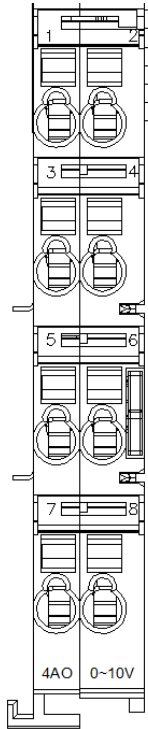


1. Specification

Technical data	
Number of channels	4
Signal type	Differential signal
Input signal voltage	24VDC
Connection type	2-line
Resolution [bit]	16 Bit
Precision	0.10%
Data size	8 Byte
Measuring range	voltage (0~10V)
Supply voltage (system)	5VDC; via data contacts
Current consumption	<200mA
Working voltage	24VDC (-15%~+20%) via power jumper contacts
Isolation	500Vsystem/field Magnetic isolation
Measuring range (Profinet/Ethernet IP)	(0~10V)0~27648
Measuring range(Others)	(0~10V)0~65535
Temperature coefficient	<20ppm
Conversion time	≤1ms
Load impedance	>2KΩ
Fault diagnosis	Yes
Overcurrent protection	Yes
Indicators	2 x LED Green
Number of incoming power jumper contacts	2
Number of outgoing power jumper contacts	2
Connection data	
Connection technology: inputs / outputs	8 xvia pluggable connector
Connection type 1	Inputs/Outputs
Area of wire	0.2~2.5mm ² /28~14AWG
Strip length	8~9mm/0.31~0.35inches
Mounting type	DIN-35 RAIL
Material Data	
Color	light gray
Housing material	Polycarbonate; polyamide 6.6
Conformity marking	CE
Environmental requirements	
Ambient temperature (operation)	-25~60°C
Surrounding air temperature (storage)	-40~85°C
Protection type	IP20
Pollution degree (5)	2, Per IEC 61131-2
Operating altitude	without temperature derating: 0~2000m
Mounting position	Any
Relative humidity (without condensation)	5~95%RH
Vibration resistance	4g, Per IEC 60068-2-6
Shock resistance	15g, Per IEC 60068-2-27
EMC immunity to interference	Per EN 61000-6-2
EMC emission of interference	Per EN 61000-6-3
Exposure to pollutants	Per IEC 60068-2-42 and IEC 60068-2-43
Permissible pollutant concentration H ₂ S at a relative humidity < 75%	10ppm
Permissible pollutant concentration SO ₂ at a relative humidity < 75%	25ppm

2. Hardware Interface

● Wiring Terminal



No.	Signal	Description
1	AO 1+	Voltage output channel1
2	AO 1-	
3	AO 2+	Voltage output channel2
4	AO 2-	
5	AO 3+	Voltage output channel3
6	AO 3-	
7	AO 4+	Voltage output channel4
8	AO 4-	

3.Process data definition

DF20-M-4AO-U-1 Module process data definition

Output data									
Bit No	Bit 7	Bit 6	Bit 5	Bit 4	Bit 3	Bit 2	Bit 1	Bit 0	Data type
Byte 0	Analog Output Data(Channel 1)								Int16
Byte 1									
Byte 2	Analog Output Data(Channel 2)								Int16
Byte 3									
Byte 4	Analog Output Data(Channel 3)								Int16
Byte 5									
Byte 6	Analog Output Data(Channel 4)								Int16
Byte 7									

Data description:

Analog Output Data(Channel 1~4): Analog signal Output value of corresponding channel.

Analog Output Data (DF20-M-4AO-U-1)				
(Profinet/Ethernet IP)		Other		
(0V~10V)	Decimal	(0V~10V)	Decimal	
>10.12	32767	/	/	Overflow
10.12	27979			Exceed the upper limit
...	...	/	/	
10+0.3617	27649			
10	27648	10	65535	Rated range
...	
...	
0	0	0	0	

4. Machinery installation

● Dimension drawing

The installation size is shown in the following figure (unit: mm):

