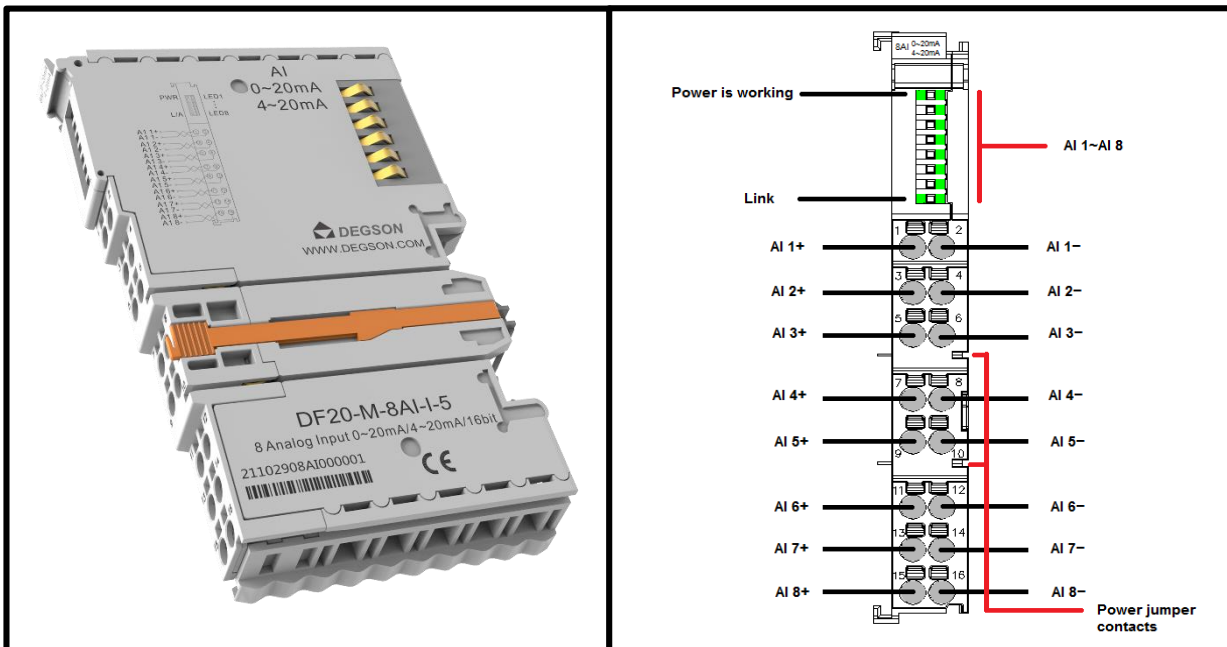


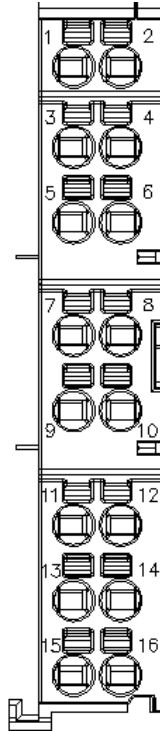
◆ 8 channel Analog input /current type /0~20mA ,4~20mA (DF20-M-8AI-I-5)

- This analog input module processes standard 0~20mA ,4~20mA signals.
- 8 channel Analog input , current type .
- The two LED indicators respectively indicate the normal operation and communication of the module.
- Each input channel has an LED indicator light.
- Field and system levels are Magnetic isolated.
- Transmitted with a resolution of 16 bits.
- Protection level IP20.



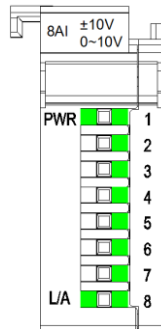
2. Hardware Interface

● Wiring Terminal



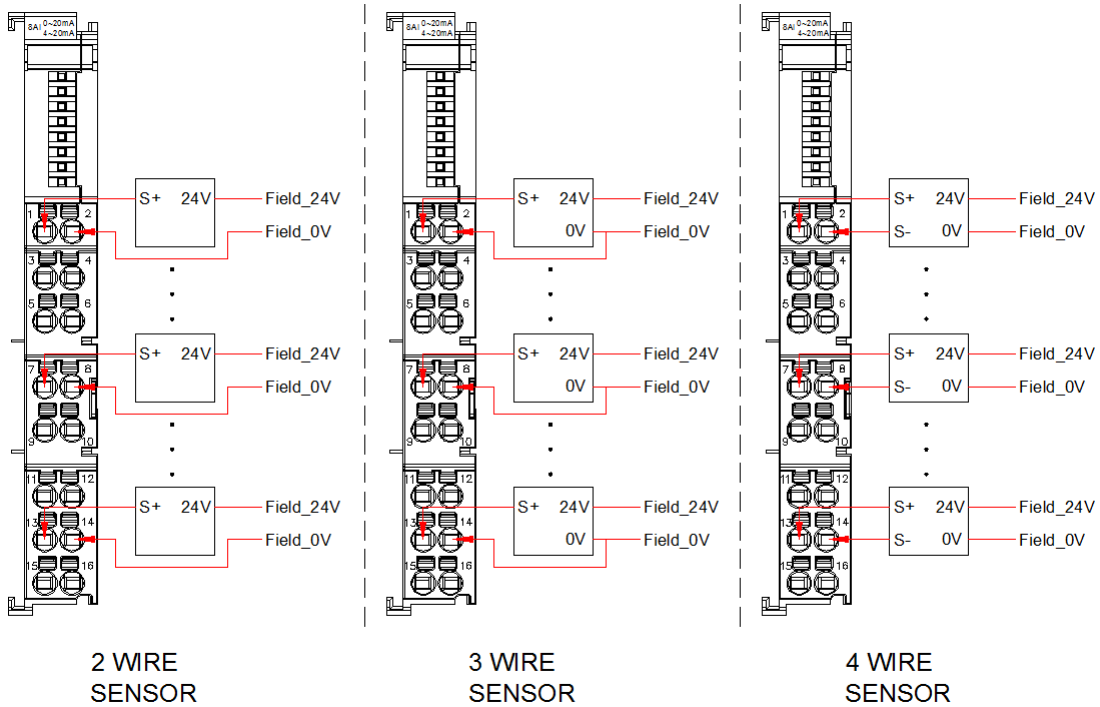
No.		Signal		Description
1	2	AI 1+	AI 1-	Current input channel1
3	4	AI 2+	AI 2-	Current input channel2
5	6	AI 3+	AI 3-	Current input channel3
7	8	AI 4+	AI 4-	Current input channel4
9	10	AI 5+	AI 5-	Current input channel5
11	12	AI 6+	AI 6-	Current input channel6
13	14	AI 7+	AI 7-	Current input channel7
15	16	AI 8+	AI 8-	Current input channel8

● LED Indicator



LED Indicator	State		Definition
PWR	Green:ON		Power Normal
	Green:OFF		Power Failure
L/A	Power-on	Green:ON	Module is being initialized
		Green:OFF	Module initialization is complete
	Running	Green: Flash	The module runs normally
		Green:OFF	Module operating fault
1	Green:ON		Input signal invalid
	Green:OFF		Input signal valid
2	Green:ON		Input signal invalid
	Green:OFF		Input signal valid
3	Green:ON		Input signal invalid
	Green:OFF		Input signal valid
4	Green:ON		Input signal invalid
	Green:OFF		Input signal valid
5	Green:ON		Input signal invalid
	Green:OFF		Input signal valid
6	Green:ON		Input signal invalid
	Green:OFF		Input signal valid
7	Green:ON		Input signal invalid
	Green:OFF		Input signal valid
8	Green:ON		Input signal invalid
	Green:OFF		Input signal valid

● Wiring



3.Process data definition

DF20-M-8AI-I-5 Module process data definition

Input data									
Bit No	Bit 7	Bit 6	Bit 5	Bit 4	Bit 3	Bit 2	Bit 1	Bit 0	Data type
Byte 0	Analog Input Data(Channel 1)								Uint16
Byte 1									
Byte 2	Analog Input Data(Channel 2)								Uint16
Byte 3									
Byte 4	Analog Input Data(Channel 3)								Uint16
Byte 5									
Byte 6	Analog Input Data(Channel 4)								Uint16
Byte 7									
Byte 8	Analog Input Data(Channel 5)								Uint16
Byte 9									
Byte 10	Analog Input Data(Channel 6)								Uint16
Byte 11									
Byte 12	Analog Input Data(Channel 7)								Uint16
Byte 13									
Byte 14	Analog Input Data(Channel 8)								Uint16
Byte 15									

Data description:

Analog Input Data(Channel 1~8): Analog signal Input value of corresponding channel.

Analog Input Data (DF20-M-8AI-I-5)						
(Profinet/Ethernet IP)			Other			
(0~20mA)	(4~20mA)	Decimal	(0~20mA)	(4~20mA)	Decimal	
>23.515	>22.810	32767	/	/	/	Overflow
23.515	22.81	32511				Exceed the upper limit
...	/	/	/	
20.0007	20.0005	27649				
20	20	27648	20	20	65535	Rated range
...	
...	
0	4	0	0	4	0	
<0.0	3.9995	-1				Exceed the lower limit
...	/	/	/	
...	1.1852	-4864				
/	<1.1852	-32768	/	/	/	Underflow

4.Machinery installation

● Dimension drawing

The installation size is shown in the following figure (unit: mm):

