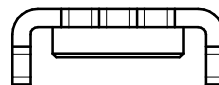
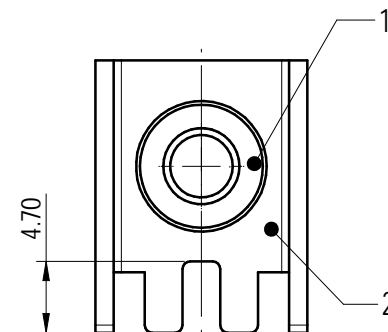
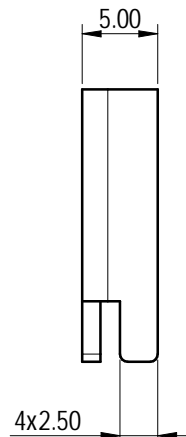
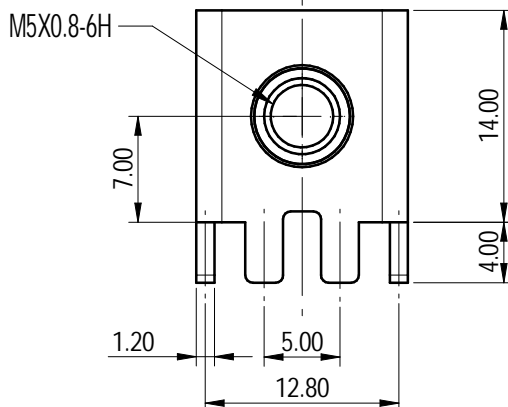
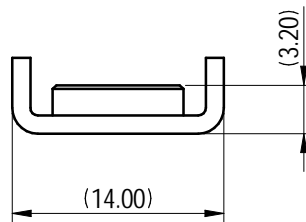
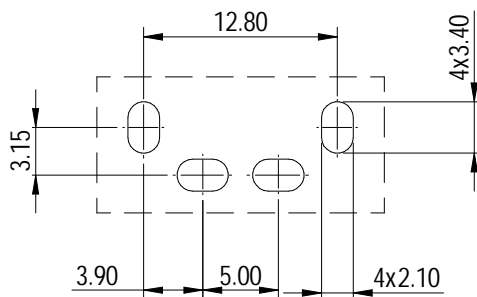


3D VIEW



PCB LAYOUT



未注公差/General tolerances (mm)												0.1/10		
0 ~ 3	>3 ~ 6	>6 ~ 10	>10 ~ 18	>18 ~ 30	>30 ~ 50	>50 ~ 80	>80 ~ 120	>120 ~ 180	>180 ~ 250	>250 ~ 315	>315 ~ 400		>400 ~ 500	>500
±0.12	±0.18	±0.22	±0.26	±0.31	±0.37	±0.57	±0.80	±0.93	±1.05	±1.15	±1.60	±2.20	±2.50	±2'

额定电流/Rated Current(A)	85
螺丝扭矩/Tightening torque(N·m/Lb.in)	M5, 2.0/17.70
符合RoHS环保要求/Conform to RoHS	Yes

Note: The A&Z (H) in the name means: A(H) and Z(H).

ITEM	NAME OF PART	MATERIAL	NOTES
2	Pin header	Copper	Sn Plated
1	Nut	Steel	M5/Zn Plated

		MATERIAL:		SURFACE/COLOR:	
		MAT NO./REV: 10900000162-1 / 00		MAT STATUS: 批量	
APPD: 蓝贵凡	2024.03.01	NAME			
CHKD: 曹利彬	2024.02.20	K116-00A&Z (H)			
DRFT: 汪德荣	2024.02.20				
DRAWING NO. 200269726		TYPE CUSTOMER DRAWING		DRAWING STATUS work	
SCALE 2:1		SHEET 1/1			

REV	ECN	DESCRIPTION	DRFT	DATE
01			汪德荣	2024.02.20

Transfer or duplication of this document as well as the utilization or communication of its contents are prohibited unless authorized in general. Violations will be treated for compensation. All rights reserved for patent. 除专利声明外，其他内容均受法律保护。未经许可，不得复制或传播。本公司保留对专利的所有权利。