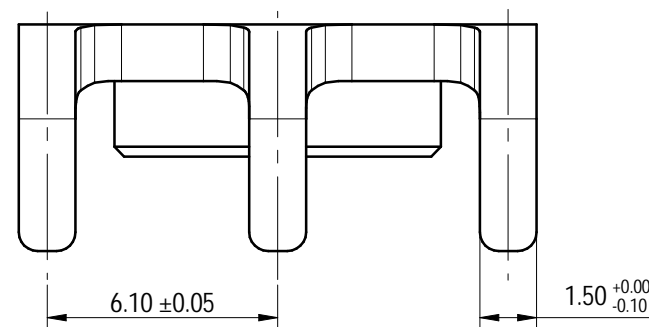
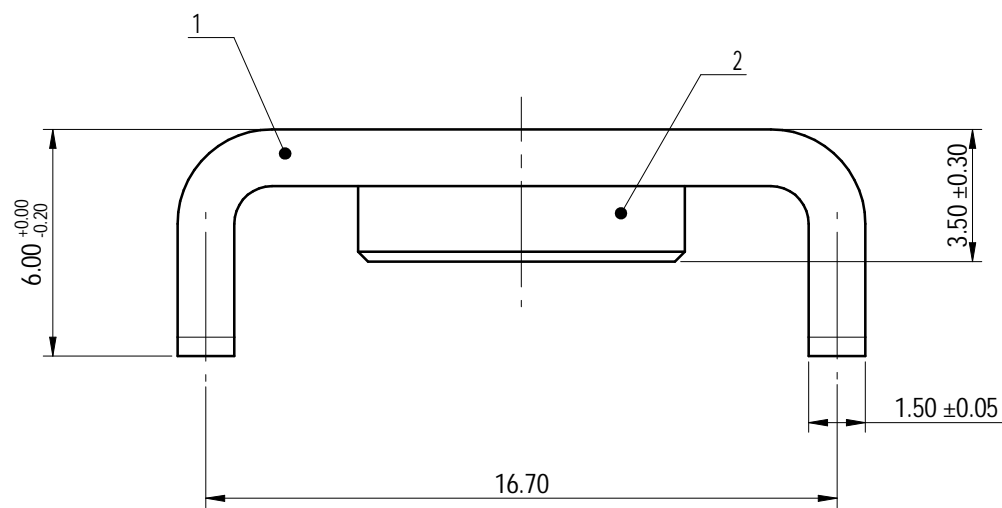
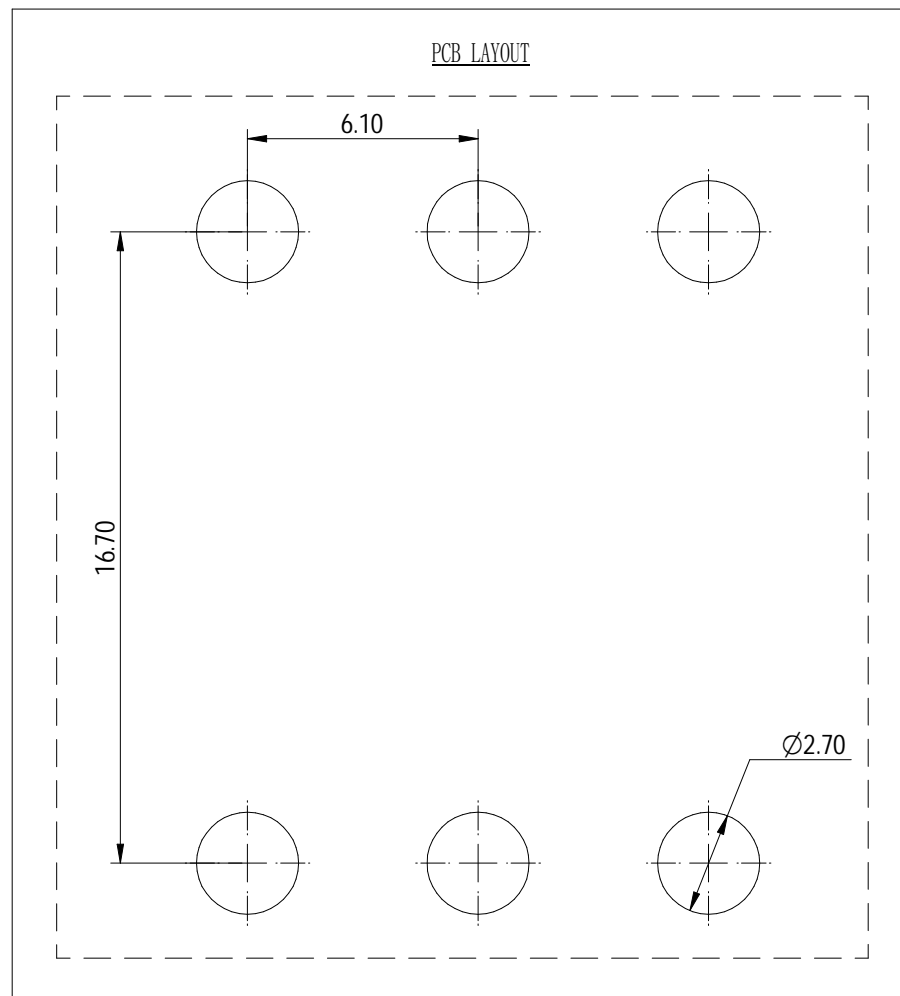
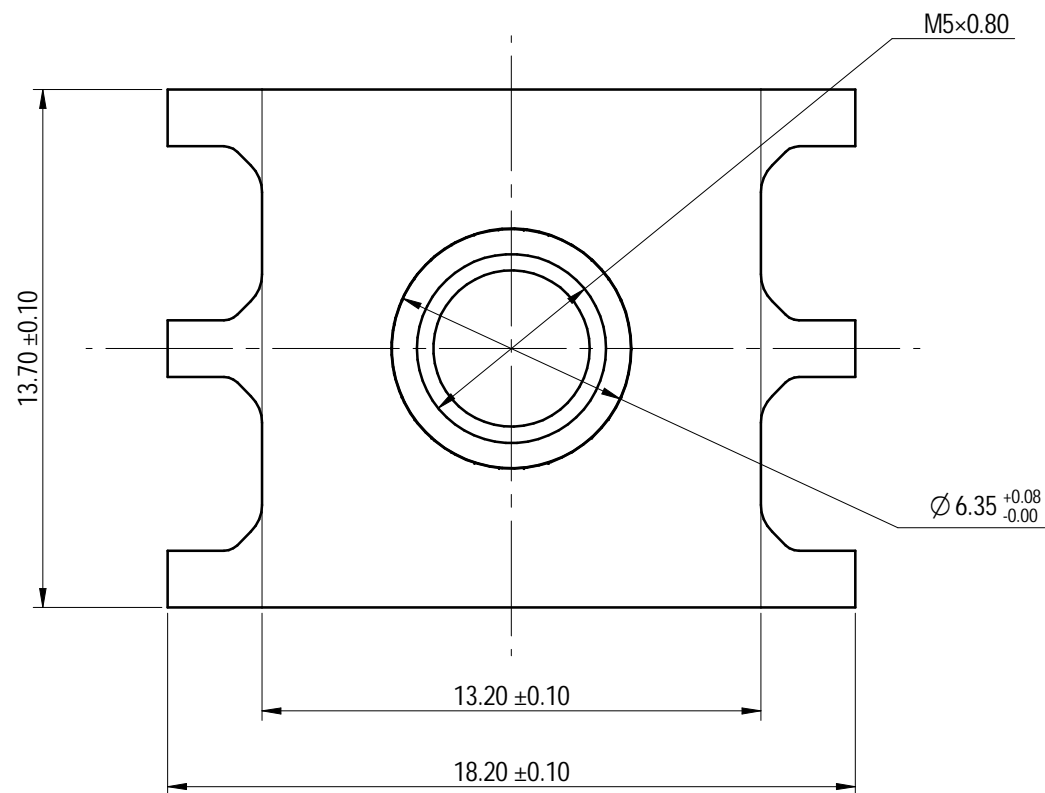


未注公差/General tolerances (mm)												0.1/10 ±2'	
0 ~ 3	>3 ~ 6	>6 ~ 10	>10 ~ 18	>18 ~ 30	>30 ~ 50	>50 ~ 80	>80 ~ 120	>120 ~ 180	>180 ~ 250	>250 ~ 315	>315 ~ 400		>400 ~ 500
±0.12	±0.18	±0.22	±0.26	±0.31	±0.37	±0.57	±0.80	±0.93	±1.05	±1.15	±1.60	±2.20	±2.50



Note: The A&Z (H) in the name means: A(H) and Z(H).

ITEM	NAME OF PART	MATERIAL	NOTES
2	Nut	Steel	Zn Plated
1	Pin header	Copper alloy	Ni Plated
额定电流/Current(A)			115A
螺丝扭矩/Torque Tightening(N·m/Lb.in)			M5, 1.9/17.54
符合RoHS环保要求/Conform to RoHS			Yes

DEGSON		MATERIAL:	SURFACE/COLOR:	
APPD: 蓝贵凡	2023.05.30	MAT NO./REV: 1090000065-1 / 00	MAT STATUS: 批量	
CHKD: 曹利彬	2023.05.16	NAME: K44-00A&Z (H)		
DRAFT: 委民洁	2023.05.16	DRAWING NO. 200194550	TYPE: CUSTOMER DRAWING	DRAWING STATUS: 已发布
REV	ECN	DESCRIPTION	SCALE: 5:1	SHEET: 1/2

REV	ECN	DESCRIPTION	DRAFT	DATE
00			委民洁	2023.05.16

Transfer or duplication of this document as well as the utilization or communication of its contents are prohibited unless explicit authorization is granted. Violations will be liable for compensation. All rights reserved for patent. 复制或再行传播此文件以及其内容之利用或沟通均须经本公司明确授权。未经许可擅自复制或传播者，本公司保留追究法律责任。本公司保留所有权利。