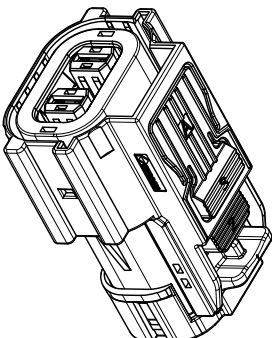
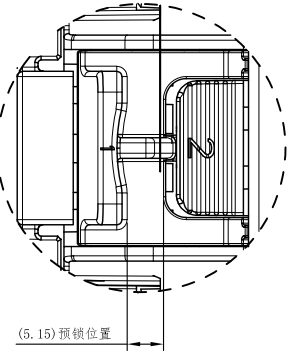
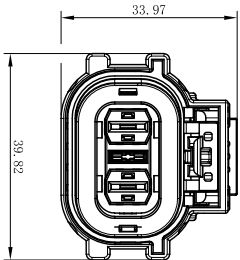
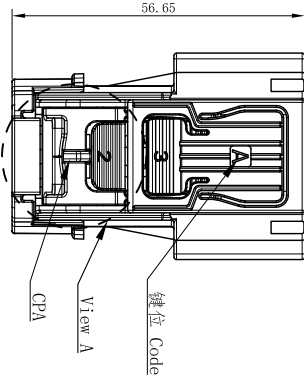


客户图

Drawings for customers

公差公差参照 (General tolerances according to GB): ISO2768-1 C					
±0.3	±0.4	±0.5	±0.6	±0.8	±1.0
±0.1	±0.15	±0.2	±0.25	±0.3	±0.4

名称 Name	2芯630插头总成 CodeA 2PIN630 Plug Assy-CodeA	2芯630插头总成 CodeB 2PIN630 Plug Assy-CodeB	2芯630插头总成 CodeC 2PIN630 Plug Assy-CodeC	2芯630插头总成 CodeD 2PIN630 Plug Assy-CodeD	2芯630插头总成 CodeE 2PIN630 Plug Assy-CodeE
键位 Code	A	B	C	D	E
型号 Type	DBYS-02A63-CXX	DBYS-02B63-CXX	DBYS-02C63-CXX	DBYS-02D63-CXX	DBYS-02E63-CXX
键位示意图 Different code view					
对插型号 Matching Type	DBYR-02A63-CXX (2芯630插座总成 CodeA)	DBYR-02B63-CXX (2芯630插座总成 CodeB)	DBYR-02C63-CXX (2芯630插座总成 CodeC)	DBYR-02D63-CXX (2芯630插座总成 CodeD)	DBYR-02E63-CXX (2芯630插座总成 CodeE)



CPA安装示意图
CPA installation diagram
View A
2:1

成品图
Product view

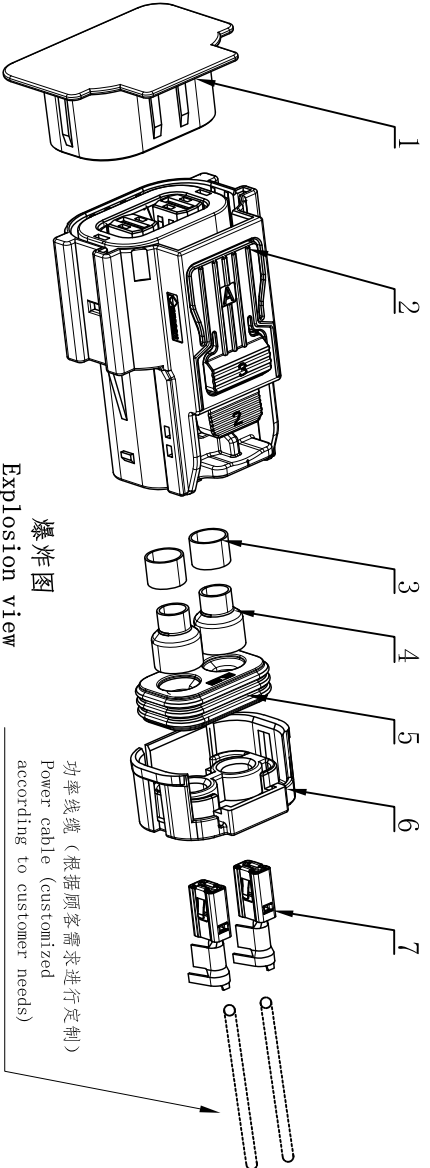
技术要求 Technical specification:

- 1、性能参数 Performance parameter:
 - a、工作温度 Temperature Range: -40℃~125℃
 - b、额定工作电压 Working Voltage: 1000V DC
 - c、额定工作电流 Current Capability: 32A Max@4mm² 40A Max@6mm²
 - d、工作海拔 Altitude: 5000M
 - e、绝缘电阻 Insulation resistance: >500MΩ 1000V DC
 - f、耐电压 Withstand voltage: <5mA 1min 3000V AC
 - g、防护等级 Class of protection: IP68、IP68K、IPYXB
- 2、法律法规 Laws and regulations
 - a、阻燃等级 Flame retardant ratings: UL94 V0
 - b、环保要求 Environmental protection requirement: RoHS 2.0

00	/	图纸首次/First edition drawing	罗曼特	2024-07-26	罗曼特	2024.07.26	材料/MATERIAL: /	表面质量/SURFACE: /
01	EN	变更描述 DESCRIPTION	设计人 DRAFT	设计日期 DATE	审核/审核 CHECKED/DATE	2024.07.26	名称/NAME: 2芯630插头总成 2PIN630 Plug Assy	数量/QUANTITY 1/2

客户图 Drawings for customers

型号/Type/料号 PN	产品描述 Product description	子零件BOM Component BOM	No. 1					No. 2					No. 3		No. 4		No. 5		No. 6		No. 7	适用线缆外径 Applicable cable diameter (mm)	备注 Note
			插头防尘盖 Plug Dust Cover	CodeA	CodeB	CodeC	CodeD	CodeE	屏蔽内环 Inner Ferrule	屏蔽外环 Outer Ferrule	线缆密封胶圈 Cable Seal	尾盖 Cap	插头功率端子 Plug Power Terminal										
DBYS-02E63-C06 26040000086	6mm ² , CodeA, Shielded connector		1	-	-	-	1	2	-	-	1	-	1	-	-	-	-	-	-	2	6.25±0.25		
DBYS-02D63-C06 26040000085	6mm ² , CodeB, Shielded connector		1	-	-	-	1	2	-	-	1	-	1	-	-	-	-	-	-	2	6.25±0.25		
DBYS-02C63-C06 26040000084	6mm ² , CodeC, Shielded connector		1	-	-	1	-	2	-	-	1	-	1	-	-	-	-	-	-	2	6.25±0.25		
DBYS-02B63-C06 26040000083	6mm ² , CodeB, Shielded connector		1	-	1	-	-	2	-	-	1	-	1	-	-	-	-	-	-	2	6.25±0.25		
DBYS-02A63-C06 26040000082	6mm ² , CodeA, Shielded connector		1	1	-	-	-	2	-	-	1	-	1	-	-	-	-	-	-	2	6.25±0.25		
DBYS-02E63-C04 26040000081	4mm ² CodeE, Shielded connector		1	-	-	-	-	2	-	-	1	-	1	-	-	-	-	-	-	2	5.55±0.25		
DBYS-02D63-C04 26040000080	4mm ² CodeB, Shielded connector		1	-	-	-	-	2	-	-	1	-	1	-	-	-	-	-	-	2	5.55±0.25		
DBYS-02C63-C04 26040000079	4mm ² CodeC, Shielded connector		1	-	-	1	-	2	-	-	1	-	1	-	-	-	-	-	-	2	5.55±0.25		
DBYS-02B63-C04 26040000078	4mm ² CodeB, Shielded connector		1	-	1	-	-	2	-	-	1	-	1	-	-	-	-	-	-	2	5.55±0.25		
DBYS-02A63-C04 26040000077	4mm ² CodeA, Shielded connector		1	1	-	-	-	2	-	-	1	-	1	-	-	-	-	-	-	2	5.55±0.25		
			26040000167	26040000174	26040000175	26040000176	26040000177	26040000178	26040000161	26040000213	26040000159	26040000160	26040000163	26040000164	26040000165	26040000166	26040000168						



**爆炸图
Explosion view**

功率线缆（根据顾客需求进行定制）
Power cable (customized according to customer needs)

注意 Note:
1、线缆尺寸标准来源于LV216，如线缆直径与LV216的不一致，可能会引起装配困难或密封失效；
1、The cable dimensions are provided by the LV216. If the cable diameter is different from the LV216, assembly difficulties or seal failures may occur;
2、每横排为装配一套产品所需要的数量。可按最左列成品料号购买，也可单独按子零件料号购买子零件。
2、Each row is the number required to assemble a set of products. It can be purchased by the finished part number in the leftmost column, or it can be purchased separately by the part number of the component.

00	/	图纸首次/First edition drawing	变更描述 DESCRIPTION	设计人 DRY	设计日期 DATE	审核/审核 CHECK/CHK	日期 DATE	材料/MATERIAL: /	表面处理/SURFACE: /	名称/NAME: 2芯630插头总成 2Pin630 Plug Assy	数量/数量 QTY/QUANTITY	客户图/客户图 Customer Drawing	图例状态/DRAWING STATUS	比例/SCALE 1:1	页码/SHEET 2/2
00	EN	EN	EN	罗曼特	2024-07-26	罗曼特	2024-07-26	梁东	2024.07.26	梁东	2024.07.26	罗曼特	2024.07.26	罗曼特	2024.07.26