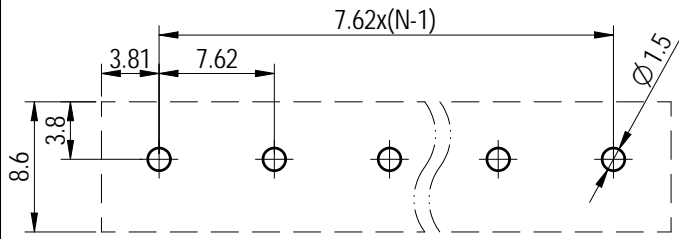
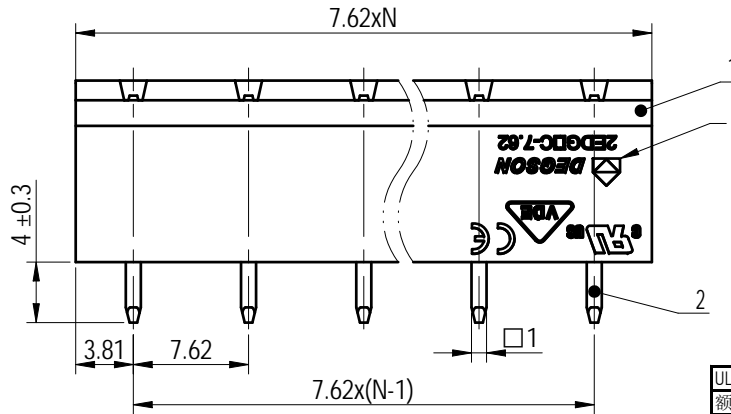
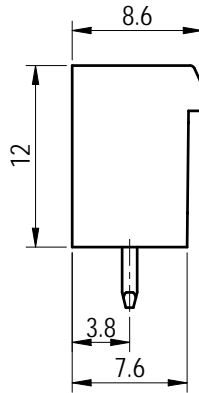
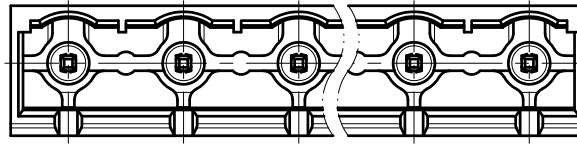
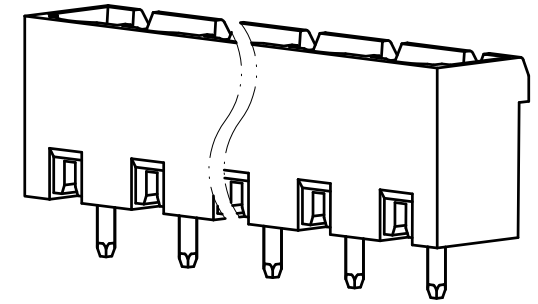


PCB LAYOUT



公差/General tolerances (mm)												0.1/10		
0	>3	>6	>10	>18	>30	>50	>80	>120	>180	>250	>315		>400	>500
±0.12	±0.18	±0.22	±0.26	±0.31	±0.37	±0.57	±0.80	±0.93	±1.05	±1.15	±1.60	±2.20	±2.50	±2'



1 Lettering can be done at both ends

ITEM	NAME OF PART	MATERIAL	NOTES
2	Pin header	Copper	Sn Plated
1	Housing	PA66	UL94V-0

UL 标准/UL Standard:	B	C	D
额定电压/电流/Rated Voltage(V)/Current(A)	300/15	/	300/10
IEC 标准/IEC Standard:			
过压类别/Overvoltage Category/污染等级/Pollution Degree	III/3	III/2	II/2
额定电压/电流/Rated Voltage(V)/Current(A)	/	400/20	/
额定脉冲电压(KV)/Rate Impulse Voltage(KV)	/	4	/
间距/Pitch(mm)/线数范围/Poles	7.62/N=02~12P		
使用温度范围/Operating temperature(°C)	-40~+105		
符合RoHS环保要求/Conform to RoHS	Yes		
标准颜色编号/Standard color number: PANTONE / RAL	/		



MATERIAL:	SURFACE/COLOR:
MAT NO./REV: - / 00	MAT STATUS: 批量

APPD: 兰春华	2024.09.11
CHKD: 龚耀志	2024.09.11
DRFT: 方哲盛	2024.09.11

NAME				
2EDGVC-7.62-XXP-1Y-100A&Z(H)				

REV	ECN	DESCRIPTION	DRFT	DATE
01		1x Reductive model	方哲盛	2024.09.11

DRAWING NO.	TYPE	DRAWING STATUS	SCALE	SHEET
200102637	CUSTOMER DRAWING	已发布	2:1	1/1

Transfer or duplication of this document as well as the utilization or communication of its contents are prohibited unless authorized in writing. All rights reserved for patent, utility model or design registrations. 除专利权明确标注外, 未经许可, 不得复制或传播。 凡在本公司网站或产品说明书中提及的商标, 均为原设计者或注册商所有。 未经许可, 不得复制或传播。 凡在本公司网站或产品说明书中提及的商标, 均为原设计者或注册商所有。