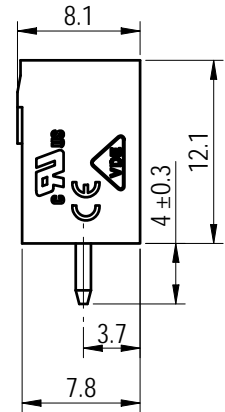
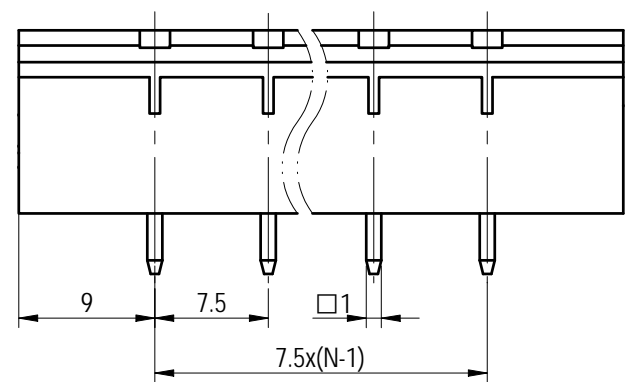
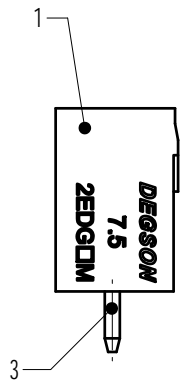
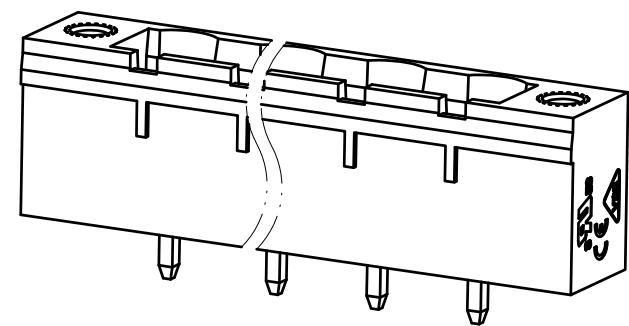
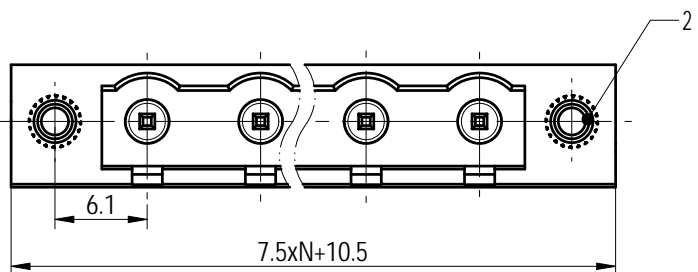
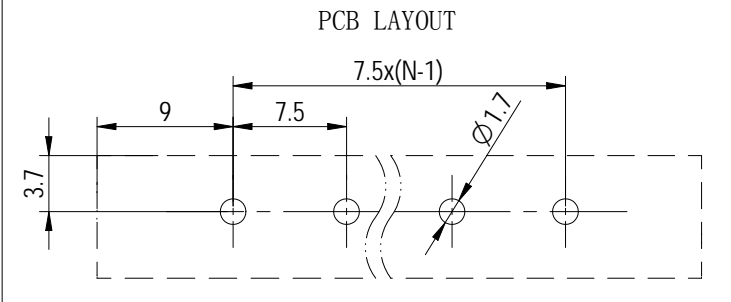


Transfer or duplication of this document as well as the utilization or communication of its content are prohibited unless authorized in writing by DEGSON. All rights reserved for patent. 除非经书面特别授权，否则禁止转让、复制、引用、发布本文件的内容。未经书面特别授权，不得复制或传播本文件的内容。

未注公差/General tolerances (mm)													0.1/10	
0 ~ 3	>3 ~ 6	>6 ~ 10	>10 ~ 18	>18 ~ 30	>30 ~ 50	>50 ~ 80	>80 ~ 120	>120 ~ 180	>180 ~ 250	>250 ~ 315	>315 ~ 400	>400 ~ 500		>500
±0.12	±0.18	±0.22	±0.26	±0.31	±0.37	±0.57	±0.80	±0.93	±1.05	±1.15	±1.60	±2.20	±2.50	±2'



Note:  
The A&Z(H) in the name means:A(H) and Z(H).

ITEM	NAME OF PART	MATERIAL	NOTES
3	Pin	Copper	Sn Plated
2	Nut	Copper alloy	/
1	Housing	PA66	UL94V-0

UL 标准/UL Standard:	B	C	D
额定电压/电流/Rated Voltage(V)/Current(A)	300/15	/	300/10
IEC 标准/IEC Standard:			
过压类别/Overvoltage Category/污染等级/Pollution Degree	III/3	III/2	II/2
额定电压/电流/Rated Voltage(V)/Current(A)	/	400/20	/
额定脉冲电压(KV)/Rate Impulse Voltage(KV)	/	4	/
间距/Pitch(mm)/线数范围/Poles	7.5/N=02~12P		
使用温度范围/Operating temperature(°C)	-40~+105		
符合RoHS环保要求/Conform to RoHS	Yes		

<b>DEGSON</b>		MATERIAL:	SURFACE/COLOR:	
APPD: 兰春华	2023.03.02	MAT NO./REV: - / 00	MAT STATUS: 批量	
CHKD: 龚耀志	2023.02.27	NAME		
DRFT: 周锡锦	2023.02.24	2EDGVM-7.5-XXP-1Y-00A&Z(H)		
周锡锦	2023.02.24	DRAWING NO.	TYPE	DRAWING STATUS
		200153140	CUSTOMER DRAWING	已发布
			SCALE	SHEET
			2:1	1/1

REV	ECN	DESCRIPTION	DRFT	DATE
00			周锡锦	2023.02.24