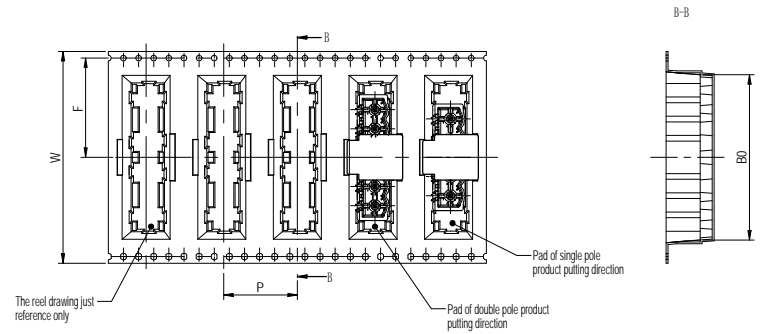
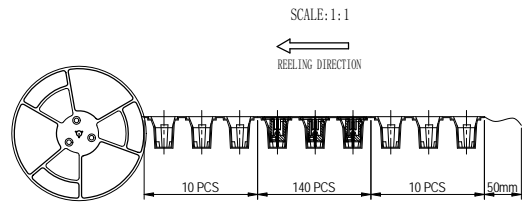
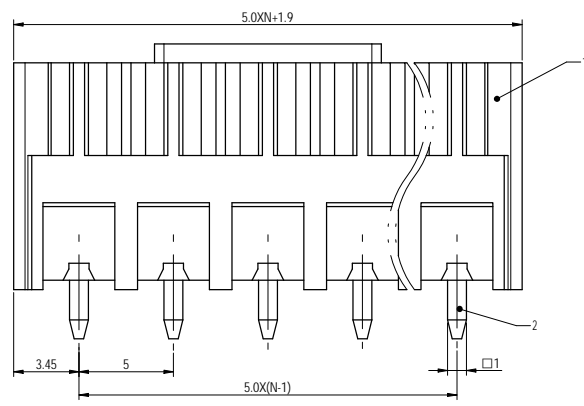
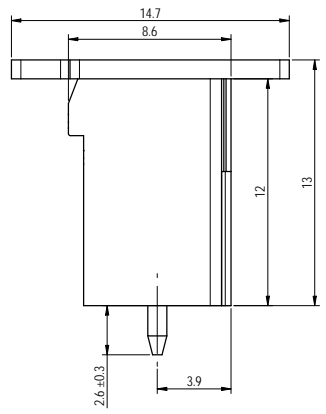
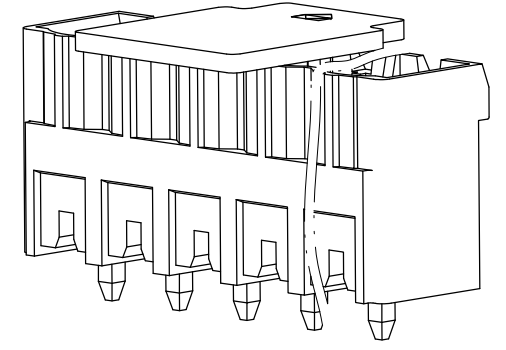
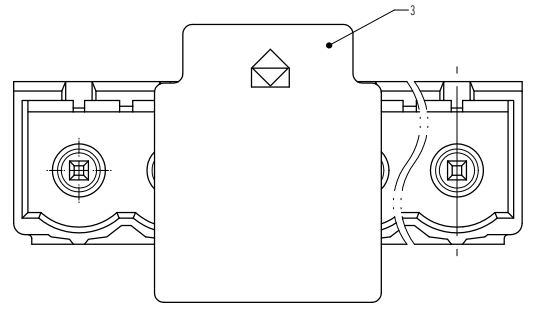
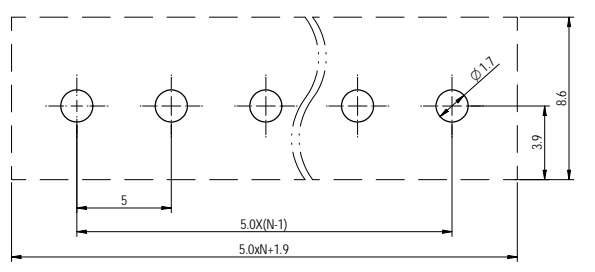


FOR-1761 Rev. 1.7	2	3			4			
Reel Name	POLE	Width/W	Pitch/P	Width/F	Width/Bo	Qty. pre reel	Reel qty. per carton	Qty. per carton
15EDGVM-THR-5.08-REEL(32)	2'4	32mm	20mm	14.2mm	20.6mm	140	8	1120
15EDGVM-THR-5.08-REEL(56)	5'8	56mm	20mm	26.2mm	38.7mm	140	5	700
15EDGVM-THR-5.08-REEL(88)	9'12	88mm	20mm	42.2mm	73.2mm	140	3	420

公差/General tolerances(mm)											
0	>3	>6	>10	>18	>30	>50	>80	>120	>180	>250	>400
-	0.1	0.15	0.2	0.3	0.4	0.5	0.6	0.8	1.0	1.5	2.0
0.12	+0.18	+0.23	+0.28	+0.33	+0.37	+0.51	+0.67	+0.83	+1.03	+1.13	+1.60
											+2.50



PCB LAYOUT



Note:
The A(Z/H) in the name means: A(H) and Z(H).

ITEM	NAME OF PART	MATERIAL	NOTES
3	Cap	Thermoplastic	UL94V-0
2	Pin	Copper	Sa Plated
1	Housing	Thermoplastic	UL94V-0

UL 标准/UL Standard	B	C	D
额定电压/电压/Rated Voltage(V)/Current(A)	300/15	/	300/10
IEC 标准/IEC Standard			
污染等级/Pollution Degree	III/3	III/2	II/2
额定电压/电压/Rated Voltage(V)/Current(A)	/	300/20	/
额定脉冲电压/电压/Rated Impulse Voltage(KV)	/	4	/
材料/Pin(mm)/Lead(mm)/Poles	5.0/N-02-12P		
工作温度范围/Operating temperature(°C)	-40~+120		
符合RoHS环保要求/Conform to RoHS	Yes		
标准颜色编号/Standard color number: PANTONE / RAL	/		



APPRO. 批准	3023.03.14	NAME	2EDGVC-THR-5.0-XXP-1Y-00AZ(H)		
DRW. 图样	3023.03.14	DRAWING NO.	200019900	TYPE	CUSTOMER DRAWING

REV	REV	DESCRIPTION	DATE	BY	DATE	SCALE	SHEET
00						5:1	1/1