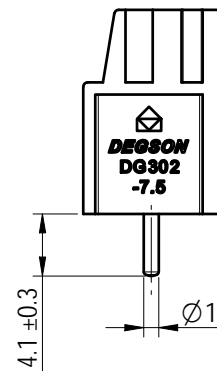
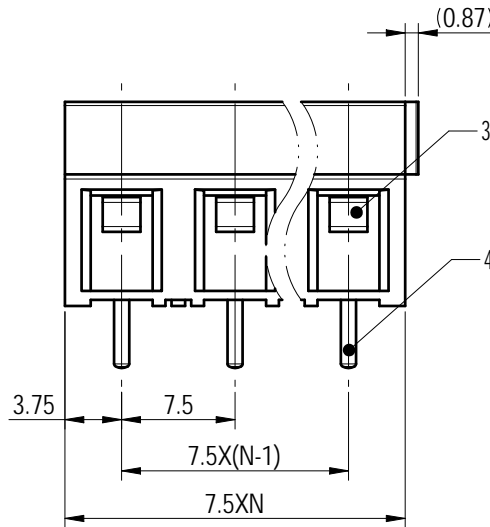
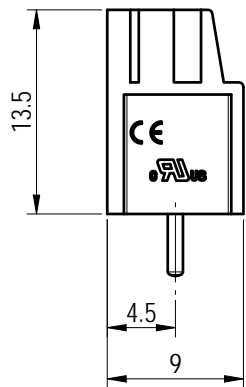
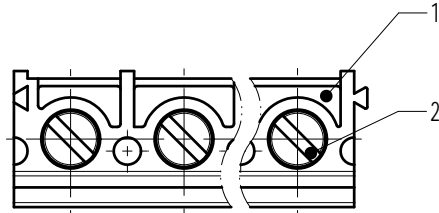
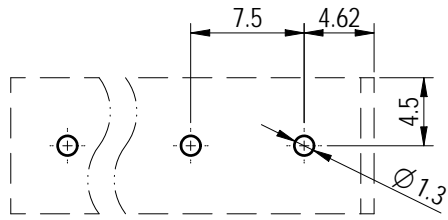
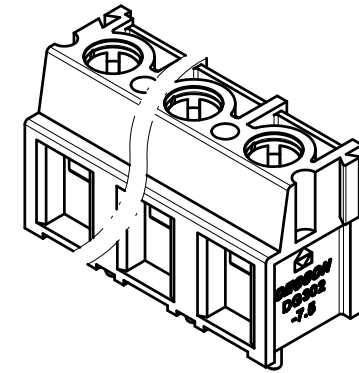


PCB LAYOUT



公差/General tolerances (mm)													0.1/10
0	>3	>6	>10	>18	>30	>50	>80	>120	>180	>250	>315	>400	
±0.12	±0.18	±0.22	±0.26	±0.31	±0.37	±0.57	±0.80	±0.93	±1.05	±1.15	±1.60	±2.20	±2.50



Note:

The A&Z(H) in the name means: A(H) and Z(H).

ITEM	NAME OF PART	MATERIAL	NOTES
4	Pin header	Copper alloy	Sn plated
3	Spring	Stainless steel	/
2	Screw	Steel	M3/Zn plated
1	Housing	PA66	UL94V-0

UL 标准/UL Standard:	B	C	D
额定电压/电流/Rated Voltage(V)/Current(A)	300/20	/	300/10
IEC 标准/IEC Standard:			
过压类别/Overvoltage Category/污染等级/Pollution Degree	III/3	III/2	II/2
额定电压/电流/Rated Voltage(V)/Current(A)	/	450/25	/
工频耐压/Withstanding voltage(V/1Min)	AC2500		
螺丝扭矩/Torque Tightening(N·m/Lb.in)	M3, 0.5/4.5		
线径范围(硬线和软线)/Wire Range(rigid and flexible)(AWG/mm²)	20~12 / 0.5~4.0		
间距/Pitch(mm)/线数范围/Poles	7.5/N=02~16P		
剥线长度/Stripping length(mm)	5~6		
使用温度范围/Operating temperature(°C)	-40~+105		
符合RoHS环保要求/Conform to RoHS	Yes		



MATERIAL:	SURFACE/COLOR:
MAT NO./REV:	MAT STATUS: 批量

APPD: 兰春华	2022.11.11
CHKD: 陈招	2022.11.11
DRFT: 龚徐涛	2022.11.10

NAME		DG302-7.5-XXP-1Y-00A&Z(H)			
DRAWING NO.	TYPE	DRAWING STATUS	SCALE	SHEET	
200029259	CUSTOMER DRAWING	已发布	2:1	1/1	

00	REV	ECN	DESCRIPTION	DRFT	DATE
				龚徐涛	2022.11.10



DRAWING NO.	TYPE	DRAWING STATUS	SCALE	SHEET
200029259	CUSTOMER DRAWING	已发布	2:1	1/1

Transfer or duplication of this document as well as the utilization or communication of its contents are prohibited unless authorized in writing by the copyright owner. All rights reserved for patent. 除专利号明确标注外, 未经许可, 不得复制或传播。 凡在本公司网站或产品说明书中出现的商标, 均为该商标持有者的合法权利。 未经许可, 不得复制或传播。