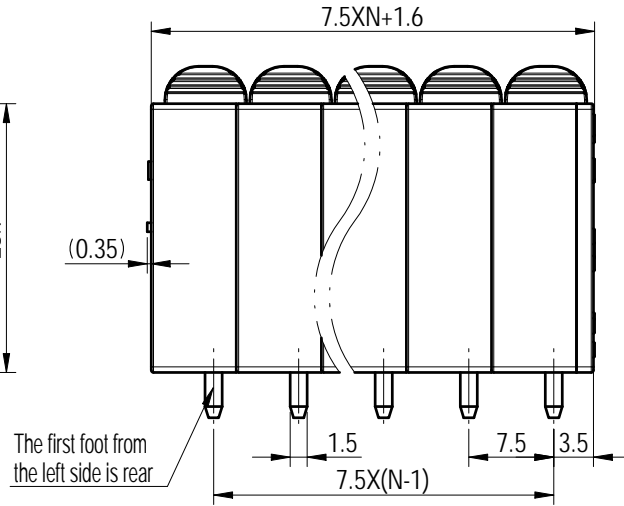
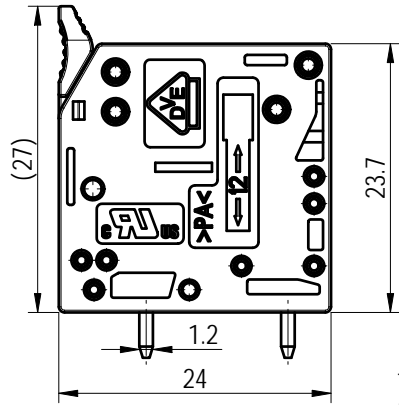
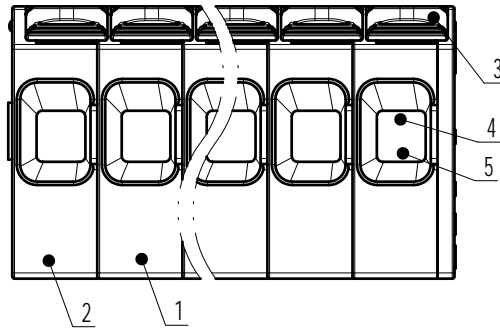
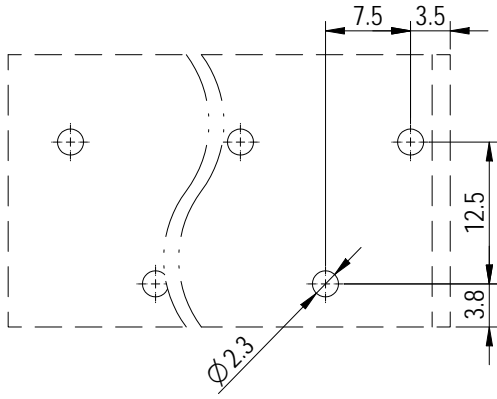
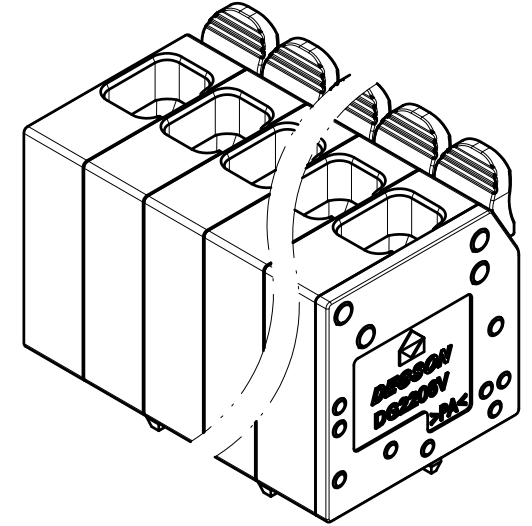
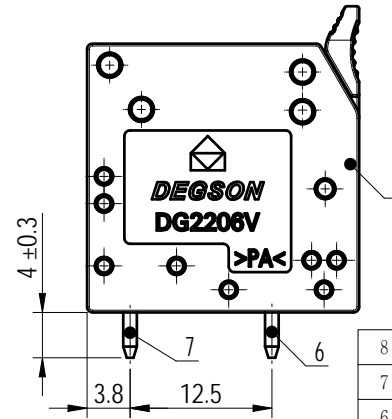


PCB LAYOUT



The first foot from the left side is rear



未注公差/General tolerances (mm)											0.1/10			
0	>3	>6	>10	>18	>30	>50	>80	>120	>180	>250	>315	>400	>500	±2'
~3	~6	~10	~18	~30	~50	~80	~120	~180	~250	~315	~400	~500		
±0.12	±0.18	±0.22	±0.26	±0.31	±0.37	±0.57	±0.80	±0.93	±1.05	±1.15	±1.60	±2.20	±2.50	

UL 标准/UL Standard:	B	C	D
额定电压/电流/Rated Voltage(V)/Current(A)	600/41	600/41	/
IEC 标准/IEC Standard:			
过压类别/Overvoltage Category/污染等级/Pollution Degree	III/3	III/2	II/2
额定电压/电流/Rated Voltage(V)/Current(A)	800/41	1000/41	1000/41
额定脉冲电压(KV)/Rate Impulse Voltage(KV)	8	8	8
线径范围(硬线和软线)/Wire Range (rigid and flexible)(AWG/mm ²)	24~8 / 0.2~6.10(sol)		
间距/Pitch(mm)/线数范围/Poles	7.5/N=02~12P		
剥线长度/Stripping length(mm)	11~13		
使用温度范围/Operating temperature(°C)	-40~+105		
符合RoHS环保要求/Conform to RoHS	Yes		

ITEM	NAME OF PART	MATERIAL	NOTES
8	Cover	PA66	UL94V-0
7	Back Pin header	Copper	Sn Plated
6	Front Pin header	Copper	Sn Plated
5	Spring	Stainless steel	/
4	Slider	Stainless steel	/
3	Lever	PA66-GF	UL94V-0
2	Back Housing	PA66	UL94V-0
1	Front Housing	PA66	UL94V-0

		MATERIAL:	SURFACE/COLOR:		
		MAT NO./REV:	MAT STATUS: 批量		
APPD: 朱伟明	2022.12.27	NAME			
CHKD: 张玉华	2022.12.23	DG2206V-7.5-DB-XXP-1Y-00Z (H)			
DRFT: 阮帅帅	2022.12.22	DRAWING NO.	TYPE	DRAWING STATUS	SCALE
		200103117	CUSTOMER DRAWING	已发布	1.5:1
				SHEET	1/1

REV	ECN	DESCRIPTION	DRFT	DATE
01			阮帅帅	2022.12.22

Transfer or duplication of this document as well as the utilization or communication of its contents are prohibited unless authorized in writing by DEGSON. All rights reserved for patent, utility model or design registrations. 除专利等明确标注外, 否则禁止非法、复制或、分发本文件的任何内容。 未经事先授权, 严禁复制或传播本文件。 保留所有权利, 侵权必究。