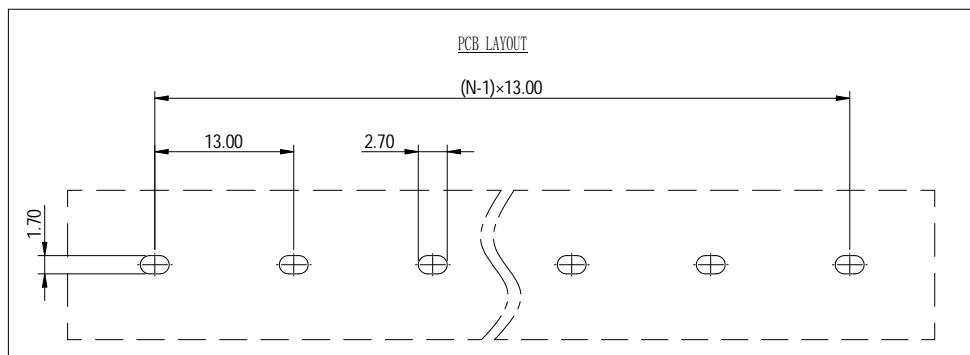
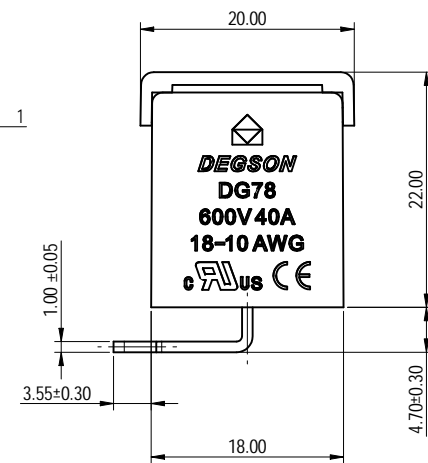
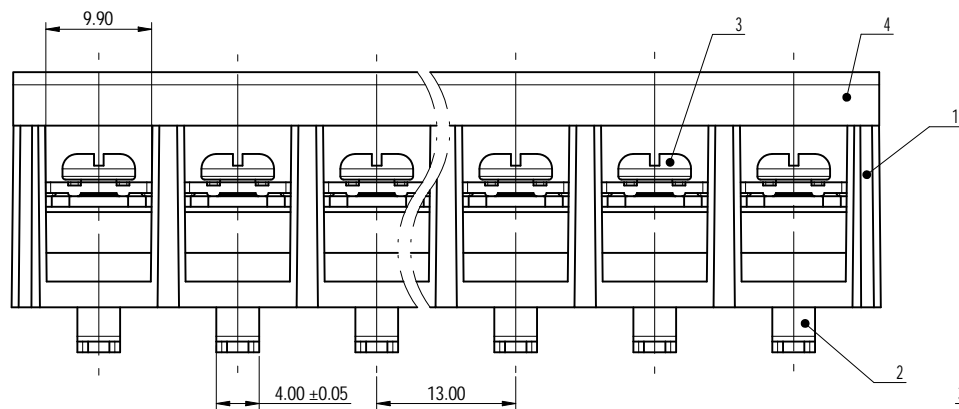
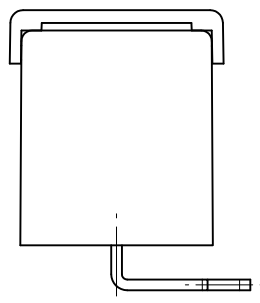
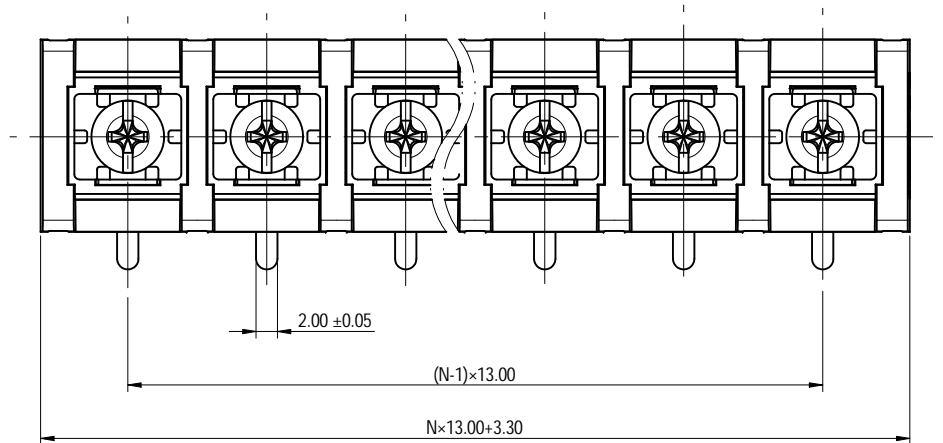


未注公差/General tolerances (mm)													D 0.1/10	
0	>3	>6	>10	>18	>30	>50	>80	>120	>180	>250	>315	>400		
~ 3	~ 6	~ 10	~ 18	~ 30	~ 50	~ 80	~ 120	~ 180	~ 250	~ 315	~ 400	~ 500	>500	
±0.12	±0.18	±0.22	±0.26	±0.31	±0.37	±0.57	±0.80	±0.93	±1.05	±1.15	±1.60	±2.20	±2.50	±2

(W/O COVER VIEW)



Note: The A&Z(H) in the name means: A(H) and Z(H).

ITEM	NAME OF PART	MATERIAL	NOTES
4	Cover	PC	UL94V-2
3	Screw	Steel	Ni Plated
2	Pin header	Copper alloy	Sn Plated
1	Housing	PA66+25%GF	UL94V-0

UL 标准/UL Standard:	
额定电压/电流/Rated Voltage(V)/Current(A)	600/40(B/C)
螺钉扭矩/Torque Tightening(N·m/Lb.in)	M4: 1.2/10.63
线径范围(硬线和软线)/Wire Range(rigid and flexible)(AWG)	18~10
间距/Pitch(mm)/线数范围/Poles	13.00/N=02~20P
使用温度范围/Operating temperature(°C)	-40~+105
符合RoHS环保要求/Conform to RoHS	Yes

<b>DEGSON</b>		MATERIAL:	SURFACE/COLOR:	
APPD: 蓝美凡	2023.11.07	NAME:	MAT STATUS: 批量	
CHKD: 曹利影	2023.11.07	DG78R-B-XXP-1Y-00A&Z(H)		
DRAFT: 姜民浩	2023.11.07	DRAWING NO.	TYPE	DRAWING STATUS
		200245758	CUSTOMER DRAWING	已发布
REV	ECN	DESCRIPTION	DRFT	DATE
00				
		SCALE	SHEET	
		1:1	1/1	

Transfer or duplication of this document as well as the utilization or reproduction of its contents without the written permission of DEGSON is prohibited. All rights reserved for patent.