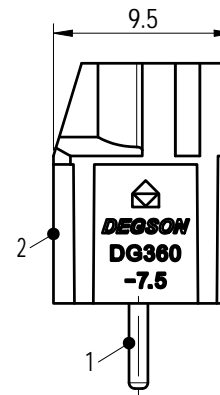
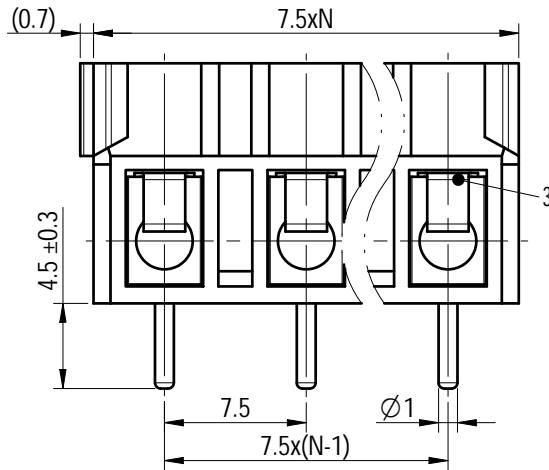
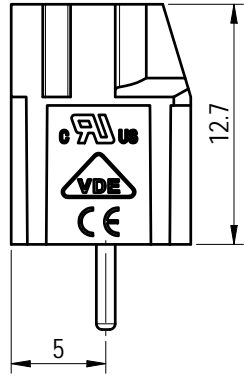
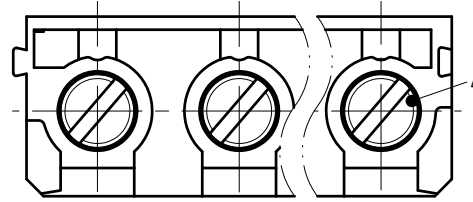
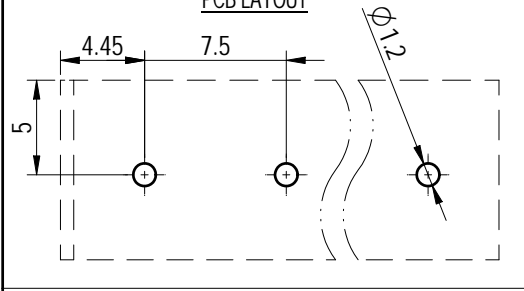
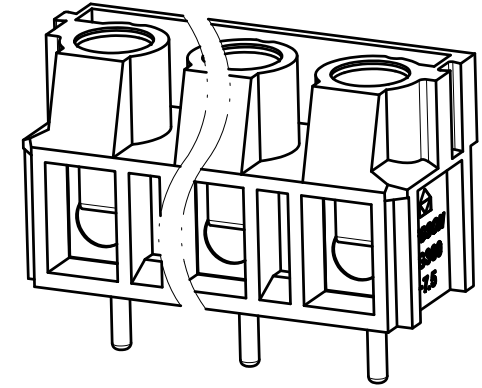


PCB LAYOUT



未注公差/General tolerances (mm)													0.1/10
0	>3	>6	>10	>18	>30	>50	>80	>120	>180	>250	>315	>400	
~3	~6	~10	~18	~30	~50	~80	~120	~180	~250	~315	~400	~500	
±0.12	±0.18	±0.22	±0.26	±0.31	±0.37	±0.57	±0.80	±0.93	±1.05	±1.15	±1.60	±2.20	±2.50



Note: The A&Z(H) in the name means: A(H) and Z(H).

ITEM	NAME OF PART	MATERIAL	NOTES
4	Screw	Steel	M3/Zn plated
3	Spring	Stainless steel	/
2	Housing	PBT	UL94V-0
1	Pin header	Copper alloy	M3/Sn plated

UL 标准/UL Standard:	B	C	D
额定电压/电流/Rated Voltage(V)/Current(A)	300/15	/	300/10
IEC 标准/IEC Standard:			
过压类别/Overvoltage Category/污染等级/Pollution Degree	/	III/2	/
额定电压/电流/Rated Voltage(V)/Current(A)	/	450/24	/
工频耐压/Withstanding voltage(V/1Min)	AC2500		
螺丝扭矩/Torque Tightening(N·m/Lb.in)	M3: 0.5/4.43		
线径范围(硬线和软线)/Wire Range(rigid and flexible)(AWG/mm²)	22~14 / 1.0~2.5		
间距/Pitch(mm)/线数范围/Poles	7.5/N=02~16P		
剥线长度/Stripping length(mm)	6~8		
使用温度范围/Operating temperature(°C)	-30~+120		
符合RoHS环保要求/Conform to RoHS	Yes		

APPD: 兰春华	2022.09.28
CHKD: 陈招	2022.09.28
DRFT: 袁路易	2022.09.28

MATERIAL: -	SURFACE/COLOR:		
MAT NO./REV: -	/ 00	MAT STATUS: 批量	
NAME			
DG360-7.5-XXP-1Y-00A&Z(H)			
DRAWING NO.	TYPE	DRAWING STATUS	SCALE
200022159	CUSTOMER DRAWING	已发布	2.5:1
SHEET			1/1

REV	ECN	DESCRIPTION	DRFT	DATE
00			袁路易	2022.09.28

Transfer or duplication of this document as well as the utilization or communication of its contents are prohibited unless authorization is granted. Violations will be held for compensation. All rights reserved for patent, utility model or design registrations. 除专利权明确授权外, 否则禁止转让、复制、引用、交流等文件的操作。未经授权使用或泄露信息, 侵权者需承担法律责任。本公司保留对涉及发明、实用新型和外观设计的所有权利。