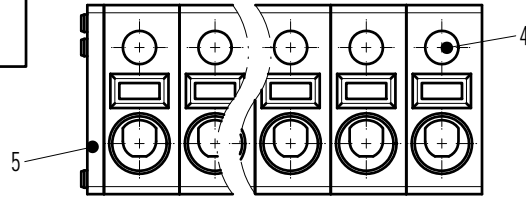
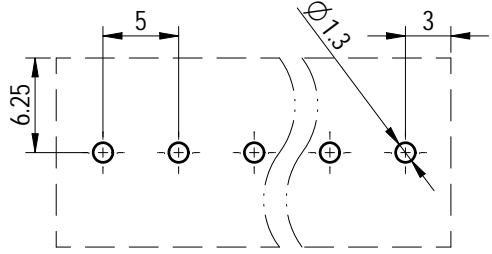
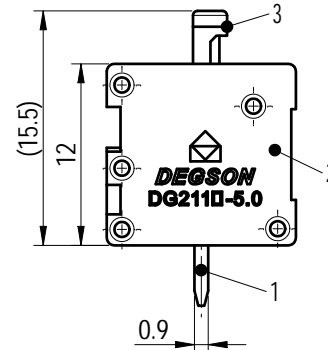
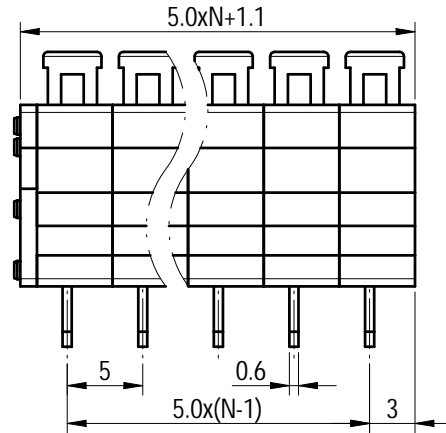
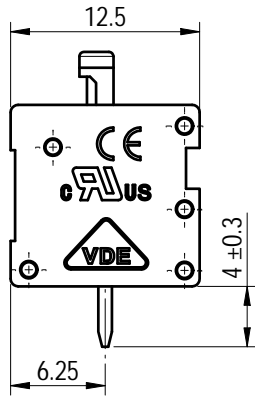
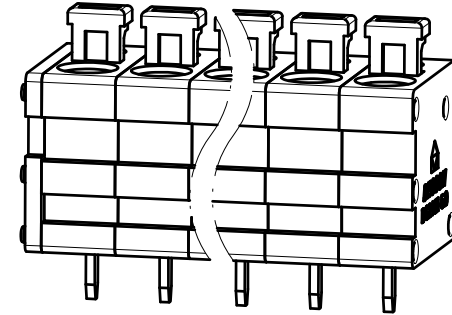


PCB LAYOUT



未注公差/General tolerances (mm)													0.1/10 ±2'
0	>3	>6	>10	>18	>30	>50	>80	>120	>180	>250	>315	>400	
~3	~6	~10	~18	~30	~50	~80	~120	~180	~250	~315	~400	~500	>500
±0.12	±0.18	±0.22	±0.26	±0.31	±0.37	±0.57	±0.80	±0.93	±1.05	±1.15	±1.60	±2.20	±2.50



Note: The A&Z(H) in the name means: A(H) and Z(H).

ITEM	NAME OF PART	MATERIAL	NOTES
5	Cover	PA66	UL94V-0
4	Spring	Stainless steel	/
3	Button	POM	UL94HB
2	Housing	PA66	UL94V-0
1	Pin header	Copper alloy	Sn plated

UL 标准/UL Standard:		B	C	D
额定电压/电流/Rated Voltage(V)/Current(A)		300/8	/	300/8
IEC 标准/IEC Standard:				
过压类别/Overvoltage Category/污染等级/Pollution Degree		III/3	III/2	II/2
额定电压/电流/Rated Voltage(V)/Current(A)		/	250/15	/
工频耐压(V/Min)/Withstanding Voltage(V/Min)		AC2000		
线径范围(硬线和软线)/Wire Range(rigid and flexible)(AWG/mm²)		26~16 / 0.2~1.5		
间距/Pitch(mm)/线数范围/Poles		5.0/N=01~24P		
剥线长度/Stripping length(mm)		8~9		
使用温度范围/Operating temperature(°C)		-40~+105		
符合RoHS环保要求/Conform to RoHS		Yes		

MATERIAL: -		SURFACE/COLOR:	
MAT NO./REV: - / 00		MAT STATUS: 批量	
APPD: 兰春华	2022.08.02	NAME	
CHKD: 陈招	2022.08.02	DG211V-5.0-XXP-1Y-00A&Z(H)	
DRFT: 袁路易	2022.08.01	DRAWING NO.	TYPE
A4		200022085	CUSTOMER DRAWING
		DRAWING STATUS	SCALE
		已发布	2:1
		SHEET	1/1

REV	ECN	DESCRIPTION	DRFT	DATE
00			袁路易	2022.08.01

Transfer or duplication of this document as well as the utilization or communication of its contents are prohibited unless authorized in writing. All rights reserved for patent. 除专利注明情况外，其他内容均不构成侵权。未经许可，不得复制或传播。 本公司保留对涉及发明、实用新型及外观设计专利的所有权利。