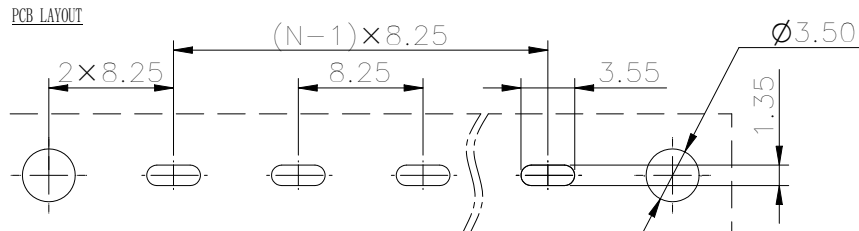
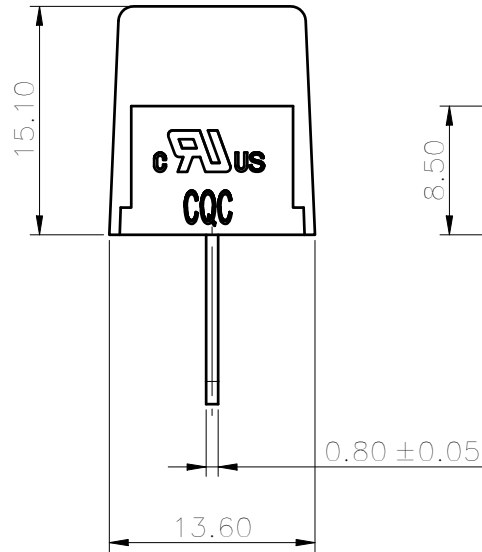
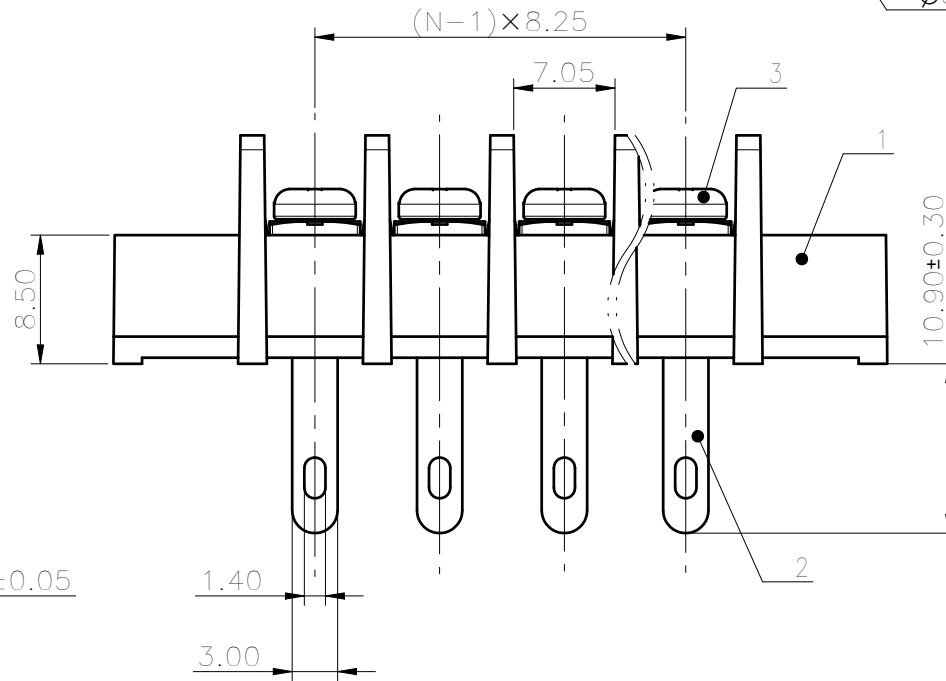
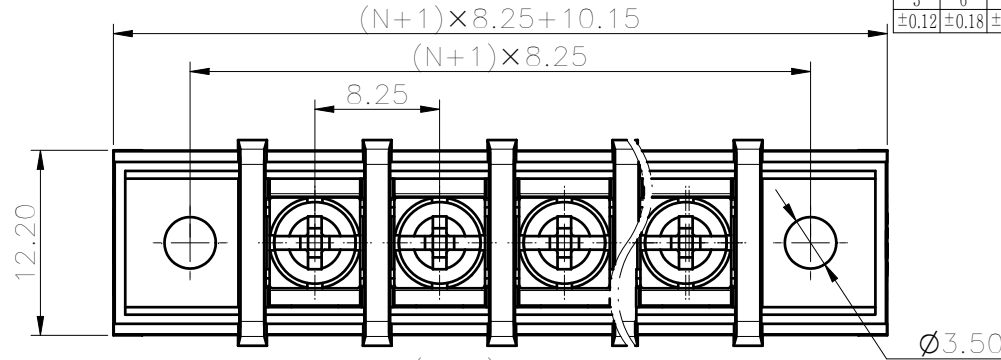


Transfer or duplication of this document as well as the utilization or communication of its content are prohibited unless authorized in writing. All rights reserved for patent, utility model or design registrations. 除专利等明确标注外，其他标注均属于本公司保留的知识产权。未经许可，不得复制或传播。

未注公差/General tolerances (mm)												0.1/10 ±2'		
0 ~ 3	>3 ~ 6	>6 ~ 10	>10 ~ 18	>18 ~ 30	>30 ~ 50	>50 ~ 80	>80 ~ 120	>120 ~ 180	>180 ~ 250	>250 ~ 315	>315 ~ 400		>400 ~ 500	>500
±0.12	±0.18	±0.22	±0.26	±0.31	±0.37	±0.57	±0.80	±0.93	±1.05	±1.15	±1.60	±2.20	±2.50	
3	Screw			Steel			Ni Plated							
2	Pin header			Copper alloy			Sn Plated							
1	Housing			PA66			UL94V-0							
ITEM	NAME OF PART			MATERIAL			NOTES							



UL 标准/UL Standard:	
额定电压/电流/Rated Voltage(V)/Current(A)	300/20
IEC 标准/IEC Standard:	
额定电压/电流/Rated Voltage(V)/Current(A)	450/32
螺丝扭矩/Torque Tightening(N·m/Lb.in)	M3, 0.5/4.43
线径范围(硬线和软线)/Wire Range(rigid and flexible)(AWG/mm²)	18~10 / 6
间距/Pitch(mm)/线数范围/Poles	8.25/N=02~24P
使用温度范围/Operating temperature(°C)	-40~+105
符合RoHS环保要求/Conform to RoHS	Yes

<b>DEGSON</b>		MATERIAL:	SURFACE/COLOR:		
MAT NO./REV: - / 00		MAT STATUS: 批量			
APPD: 蓝贵凡	2023. 11. 06	NAME			
CHKD: 曹利彬	2023. 11. 06	DG35H-A-XXP-1Y-00A&Z(H)			
DRFT: 姜民洁	2023. 11. 06	DRAWING NO.	TYPE	DRAWING STATUS	SCALE
A4		200065309	CUSTOMER DRAWING	已发布	2:1
					SHEET 1/1

REV	ECN	DESCRIPTION	DRFT	DATE
00				