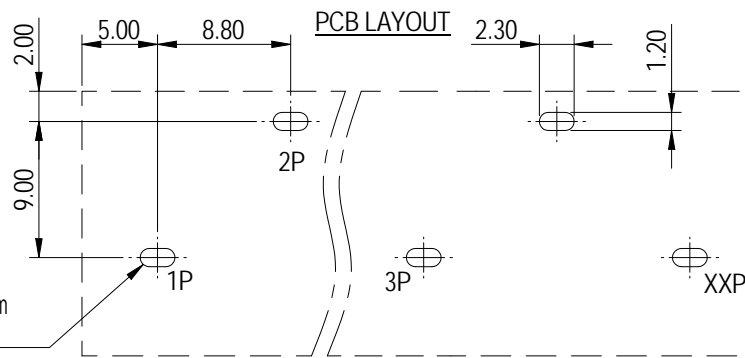
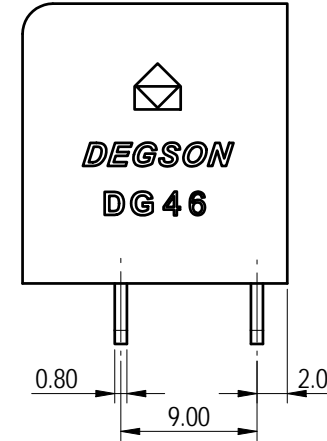
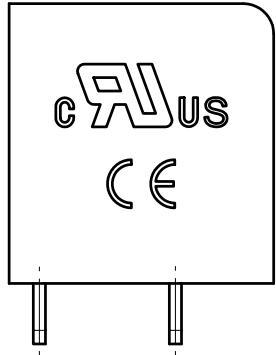


未注公差/General tolerances (mm)													0.1/10	
0 ~ 3	>3 ~ 6	>6 ~ 10	>10 ~ 18	>18 ~ 30	>30 ~ 50	>50 ~ 80	>80 ~ 120	>120 ~ 180	>180 ~ 250	>250 ~ 315	>315 ~ 400	>400 ~ 500		>500
±0.12	±0.18	±0.22	±0.26	±0.31	±0.37	±0.57	±0.80	±0.93	±1.05	±1.15	±1.60	±2.20	±2.50	±2'

ITEM	NAME OF PART	MATERIAL	NOTES
4	Screw	Steel	Ni Plated
3	Pin Fastener	Steel	Ni Plated
2	Pin Header	Copper Alloy	Sn Plated
1	Housing	PA66	UL94V-0



NOTE: DA first pin header from left near the wiring mouth

Note: The A&Z(H) in the name means: A(H) and Z(H).

UL 标准/UL Standard:	B	C	D
额定电压/电流/Rated Voltage(V)/Current(A)	600/20	/	/
螺丝扭矩/Torque Tightening(N·m/Lb.in)	M3.5, 0.9/8.78		
线径范围(硬线和软线)/Wire Range(rigid and flexible)(AWG)	24~12		
间距/Pitch(mm)/线数范围/Poles	8.80/N=02~24P		
使用温度范围/Operating temperature(°C)	-40~+105		
符合RoHS环保要求/Conform to RoHS	Yes		

MATERIAL:		SURFACE/COLOR:	
MAT NO./REV:	- / 00	MAT STATUS:	批量
APPD: 蓝贵凡	2023.02.20	NAME	
CHKD: 曹利彬	2023.02.20	DG46-DA-XXP-1Y-00A&Z(H)	
DRFT: 姜民洁	2023.02.20	DRAWING NO.	200066958
		TYPE	CUSTOMER DRAWING
		DRAWING STATUS	已发布
		SCALE	2:1
		SHEET	1/1

REV	ECN	DESCRIPTION	DRFT	DATE
00				

Transfer or duplication of this document as well as the utilization or communication of its content are prohibited unless authorized in writing by DEGSON. All rights reserved for patent. 未经授权复制或传播本文件内容及利用其内容或进行任何形式之沟通均属侵权行为。 保留所有权利。 侵权必究。