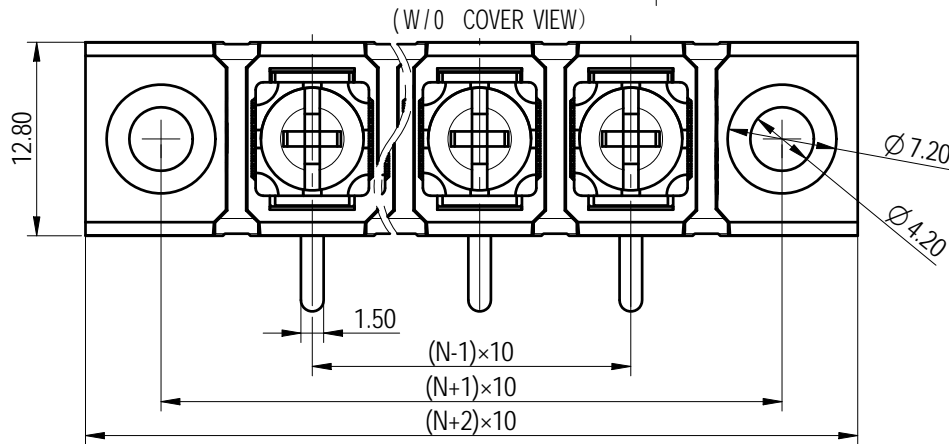
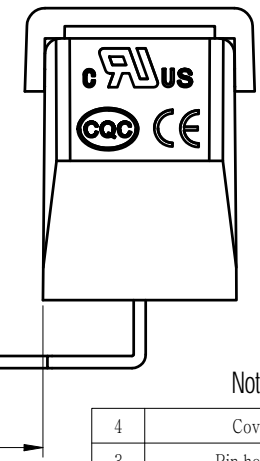
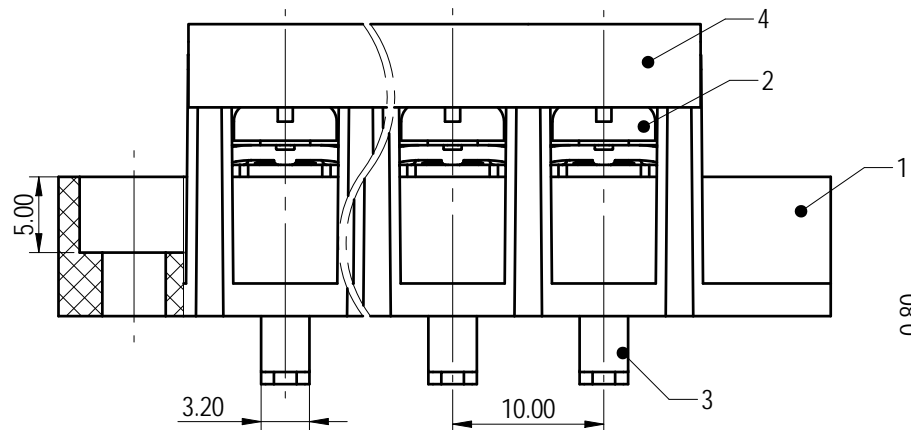
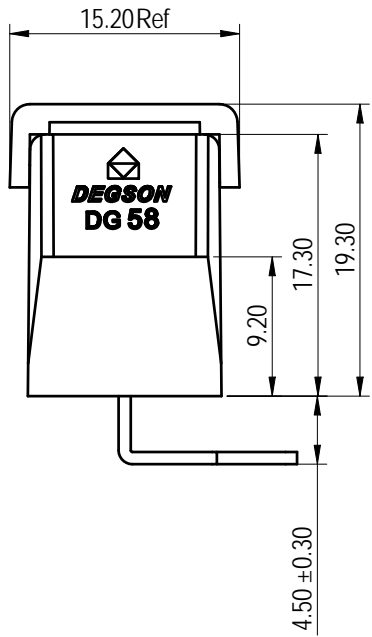


Transfer or duplication of this document as well as the utilization or communication of its content are prohibited unless explicitly permitted. Violations will be held for compensation. All rights reserved for patent, utility model or design registrations. 除专利、实用新型、外观设计、软件著作权等依法注册外，其他权利均归本公司所有。未经许可，不得复制或传播。本公司保留对产品及资料、软件等的所有权。

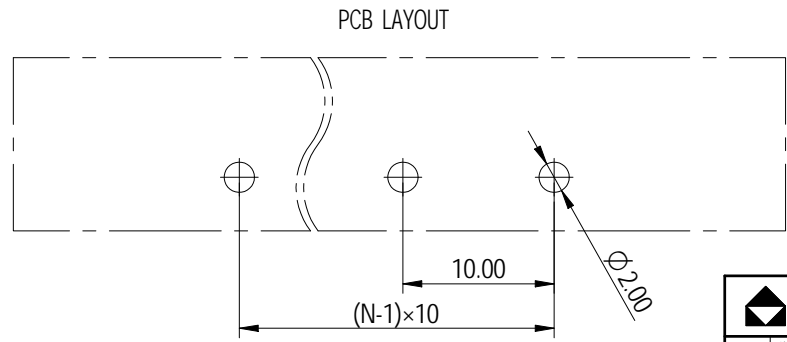


未注公差/General tolerances (mm)											0.1/10		
0	>3	>6	>10	>18	>30	>50	>80	>120	>180	>250			
~3	~6	~10	~18	~30	~50	~80	~120	~180	~250	~315	~400	~500	>500
±0.12	±0.18	±0.22	±0.26	±0.31	±0.37	±0.57	±0.80	±0.93	±1.05	±1.15	±1.60	±2.20	±2.50



Note: The A&Z(H) in the name means: A(H) and Z(H).

ITEM	NAME OF PART	MATERIAL	NOTES
4	Cover	PC	UL94V-0
3	Pin header	Copper alloy	M4/Sn Plated
2	Screw	Steel	M4/Ni Plated
1	Housing	PA66	UL94V-0



UL 标准/UL Standard:		B	C	D
额定电压/电流/Rated Voltage(V)/Current(A)		300/20	/	300/10
螺丝扭矩/Torque Tightening(N·m/Lb.in)		M4, 1.2/10.53		
线径范围(硬线和软线)/Wire Range(rigid and flexible)(AWG/mm²)		22~12		
间距/Pitch(mm)/线数范围/Poles		10/N=02~20P		
使用温度范围/Operating temperature(°C)		-40~+105		
符合RoHS环保要求/Conform to RoHS		Yes		

DEGSON		MATERIAL:	SURFACE/COLOR:
APPD: 蓝贵凡	2022.12.21	MAT NO./REV: / 00	MAT STATUS: 批量
CHKD: 曹利彬	2022.12.21	NAME	
DRFT: 孙科豪	2022.12.21	DG58R-A-XXP-1Y-00A&Z(H)	
REV	ECN	DRAWING NO.	TYPE
00		200122916	CUSTOMER DRAWING
DESCRIPTION	DRFT	DRAWING STATUS	SCALE
	孙科豪	已发布	2:1
DATE	DATE	SHEET	
2022.12.21	2022.12.21	1/1	

REV	ECN	DESCRIPTION	DRFT	DATE
00			孙科豪	2022.12.21