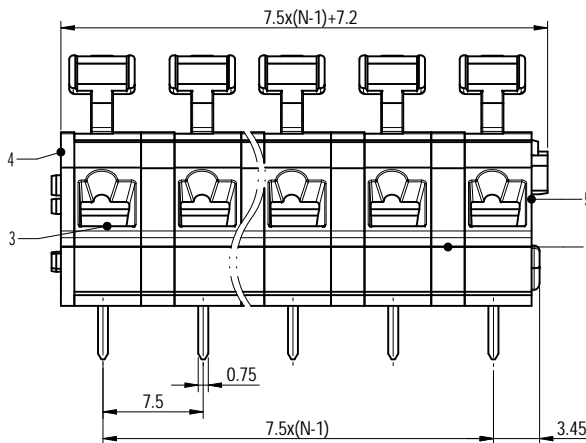
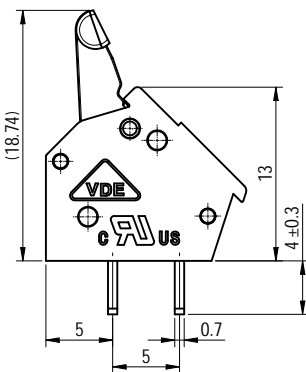
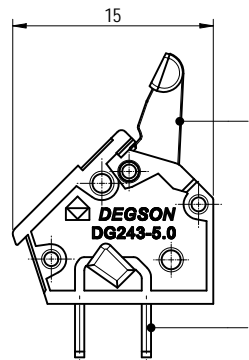
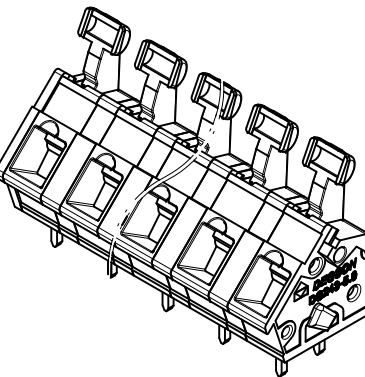
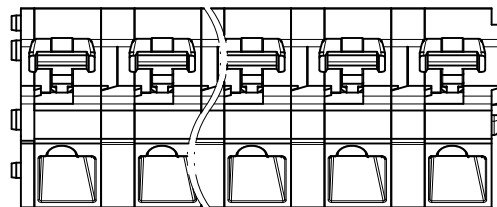
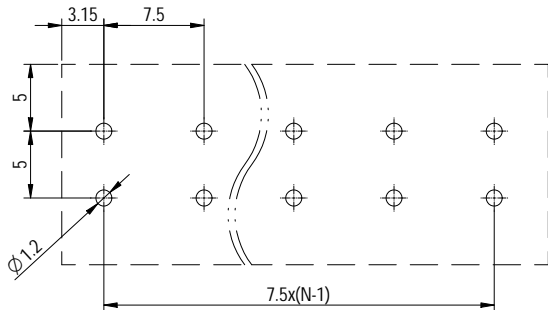
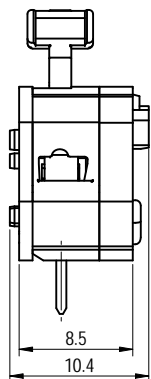


PCB LAYOUT



OIP



公差/General tolerances (mm)											0.1/10 ±2		
0	>3	>6	>10	>18	>30	>50	>80	>120	>180	>250		>315	>400
±0.12	±0.18	±0.22	±0.26	±0.31	±0.37	±0.57	±0.80	±0.93	±1.05	±1.15	±1.60	±2.20	±2.50
UL 标准/UL Standard:											B	C	D
额定电压/电压/Rated Voltage(V)/Current(A)											300/15 / 300/10		
IEC 标准/IEC Standard:													
过压类别/Overvoltage Category/污染等级/Pollution Degree											III/3 III/2 II/2		
额定电压/电压/Rated Voltage(V)/Current(A)											750/17		
工频耐压/Withstanding Voltage (V/1Min)											AC3000		
线径范围(硬线和软线)/Wire Range (rigid and flexible)(AWG/mm²)											28~12 / 0.2~2.5		
间距/Pitch(mm)/线数范围/Poles											7.5/N=01~24P		
剥线长度/Stripping length (mm)											5~6		
使用温度范围/Operating temperature (°C)											-40~+105		
符合RoHS环保要求/Conform to RoHS											Yes		

Note:  
The A&Z(H) in the name means: A(H) and Z(H).

6	Calpboard	PA66	UL94V-0
5	Housing	PA66	UL94V-0
4	Cover	PA66	UL94V-0
3	Spring	Stainless steel	/
2	Button	POM	UL94HB
1	Pin header	Copper alloy	Sn Plated
ITEM	NAME OF PART	MATERIAL	NOTES

<b>DEGSON</b>		MATERIAL: /		SURFACE/COLOR: /	
APPD: 兰泰华	2022.09.27	NAME:	DG243-7.5-XXP-1Y-00A&Z(H)		
CHKD: 陈超	2022.09.27	MAT NO./REV: - / 01	MAT STATUS: 批量		
DRFT: 黎宇龙	2022.09.27	DRAWING NO. 200025293	TYPE CUSTOMER DRAWING	DRAWING STATUS 已发布	SCALE 2.5:1 SHEET 1/1

00	REV	ECN	DESCRIPTION	DRFT	DATE	黎宇龙	2022.09.27
----	-----	-----	-------------	------	------	-----	------------

Transfer or duplication of this document as well as the utilization of its contents without the written permission of DEGSON is prohibited. 未经授权复制或传播本文件及其内容，或在本文件内容的基础上进行二次开发，均属于侵权行为，公司将依法追究。 All rights reserved for patent.