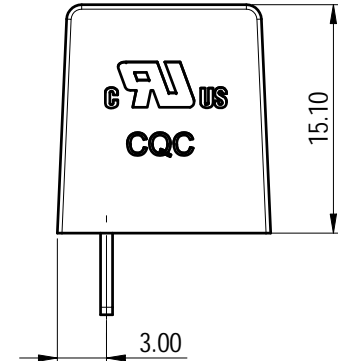
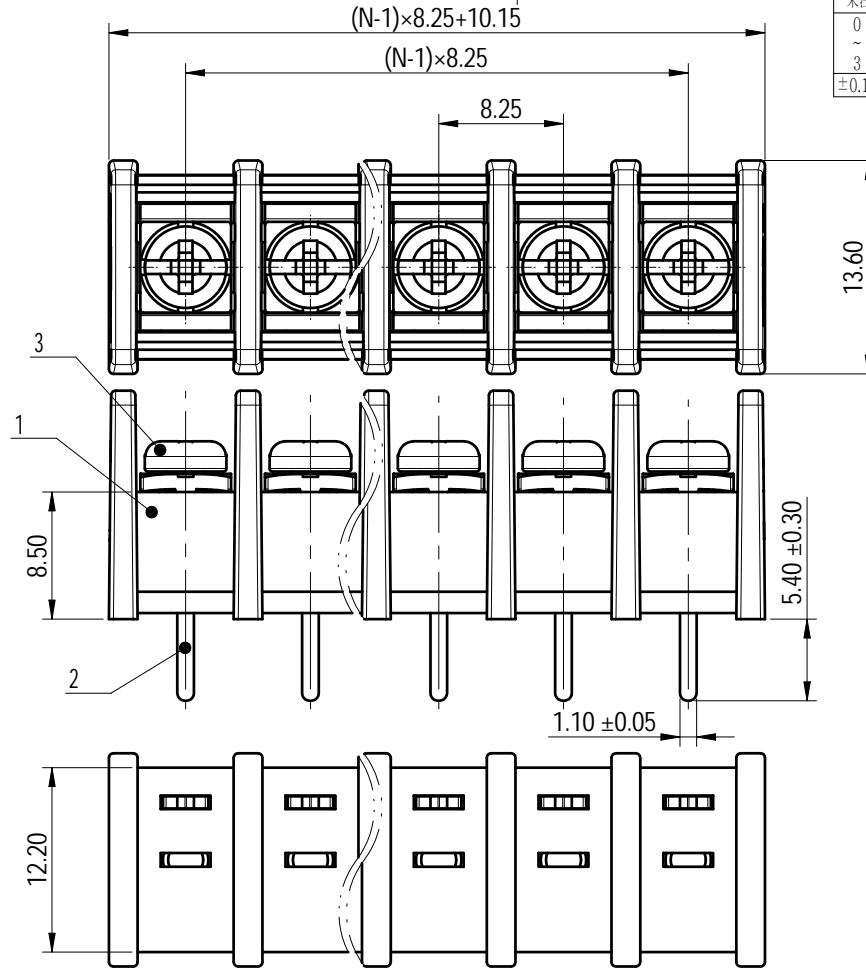


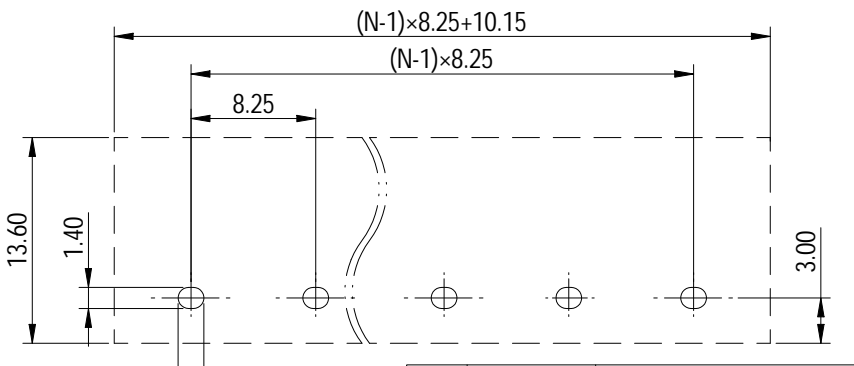
未注公差/General tolerances (mm)													0.1/10	
0	>3	>6	>10	>18	>30	>50	>80	>120	>180	>250	>315	>400		>500
±0.12	±0.18	±0.22	±0.26	±0.31	±0.37	±0.57	±0.80	±0.93	±1.05	±1.15	±1.60	±2.20	±2.50	±2'



Note: The A&Z (H) in the name means: A(H) and Z(H).

ITEM	NAME OF PART	MATERIAL	NOTES
3	Screw	Steel	Ni plated
2	Pin header	Copper alloy	Sn plated
1	Housing	PA66	UL94V-0

UL 标准/UL Standard:	B	C	D
额定电压/电流/Rated Voltage(V)/Current(A)	300/20	/	300/10
IEC 标准/IEC Standard:			
额定电压/电流/Rated Voltage(V)/Current(A)	450/32		
螺丝扭矩/Torque Tightening(N·m/Lb.in)	M3, 0.5/4.43		
线径范围(硬线和软线)/Wire Range(rigid and flexible)(AWG/mm²)	22~12 / 4.0		
间距/Pitch(mm)/线数范围/Poles	8.25/N=02~24P		
剥线长度/Stripping length(mm)	5~6		
使用温度范围/Operating temperature(°C)	-40~+105		
符合RoHS环保要求/Conform to RoHS	Yes		



DEGSON

APPD: 蓝贵凡 2023.05.26
 CHKD: 曹利彬 2023.05.26
 DRFT: 姜民洁 2023.05.26

MATERIAL:	SURFACE/COLOR:	
MAT NO./REV:	- / 00	MAT STATUS: 批量
NAME DG35S-B-XXP-1Y-00A&Z(H)		
DRAWING NO. 200153837	TYPE CUSTOMER DRAWING	DRAWING STATUS 已发布
SCALE 2:1	SHEET 1/1	

REV	ECN	DESCRIPTION	DRFT	DATE
00				

Transfer or duplication of this document as well as the utilization or communication of its content are prohibited unless authorized in writing by DEGSON. All rights reserved for patent, utility model or design registrations. 除专利等明确标注外，其他内容均受法律保护。未经授权，不得复制或传播。 凡在本公司网站或宣传资料中出现的“DEGSON”字样，均受法律保护。 未经授权，不得复制或传播。