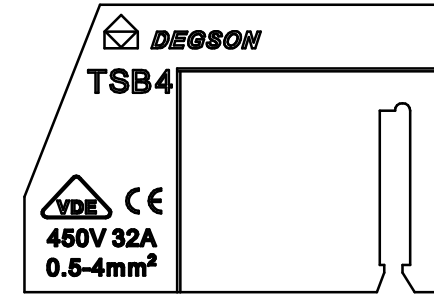
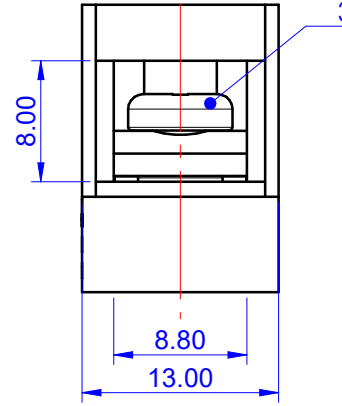
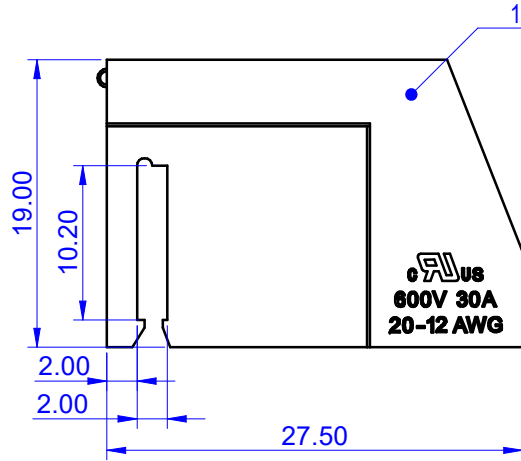
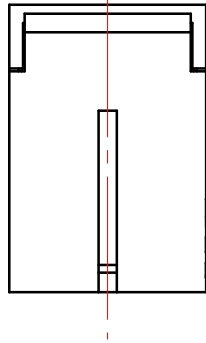
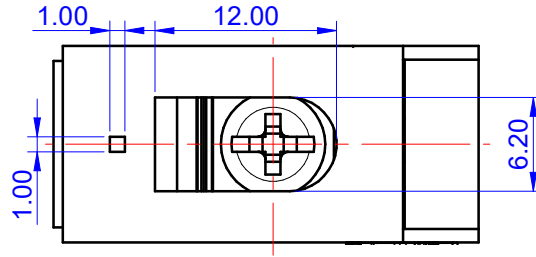


未注公差/General tolerances(mm)												0.1/10		
0	>3	>6	>10	>18	>30	>50	>80	>120	>180	>250	>315		>400	>500
~	~	~	~	~	~	~	~	~	~	~	~	~	~	~
±0.12	±0.18	±0.22	±0.26	±0.31	±0.37	±0.57	±0.80	±0.93	±1.05	±1.15	±1.60	±2.20	±2.50	±2°



Note: The A&Z(H) in the name means: A(H) and Z(H).

ITEM	NAME OF PART	MATERIAL	NOTES
3	Screw	Steel	Ni Plated
2	Pin header	Copper	Sn Plated
1	Housing	PA66	UL94 V-0

UL 标准/ UL Standard:		B	C	D
额定电压/ 电流/ Rated Voltage(V)/ Current(A)		600/ 30	600/ 30	600/ 5
IEC 标准/ IEC Standard:				
额定电压/ 电流/ Rated Voltage(V)/ Current(A)		/	450/ 32	/
螺丝扭矩/ Torque Tightening(N·m/ Lb.in)		M4, 1.2/ 10.5		
线径范围(硬线和软线)/ Wire Range(rigid and flexible)(AWG mm²)		20-12 / 0.5-4.0		
间距/ Pitch(mm)/ 线数范围/ Poles		N=01P		
使用温度范围/ Operating temperature(°C)		- 40~+ 105		
符合 RoHS 环保要求/ Conform to RoHS		Yes		

		MATERIAL:	SURFACE:		
APPD: 蓝贵凡 2022.11.11		MAT NO./REV:	MAT STATUS: 批量		
CHKD: 曹利彬 2022.11.09		NAME			
DRFT: 姜民洁 2022.11.09		TSB4-01P-15-01A&Z(H)			
DRAWING NO.	TYPE	DRAWING STATUS	SCALE	SHEET	
200012220	CUSTOMER DRAWING	已发布	2:1	1/1	

REV	ECN	DESCRIPTION	DRFT	DATE
00		1xPDM图纸迁移TC, 由T6升版至00	姜民洁	2022.11.09

Transfer or duplication of this document as well as the utilization or communication of its contents are prohibited without the written consent of DEGSON. All rights reserved for patent, utility model or design registrations. 非经书面授权, 严禁禁止转让、复制、调用、交流本文件的内容, 一经发现即对涉及发明、实用新型和外观专利的所有权利。