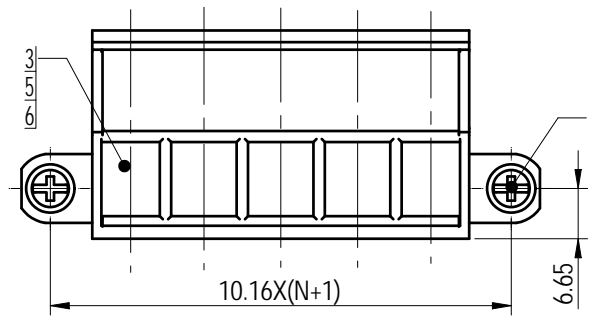
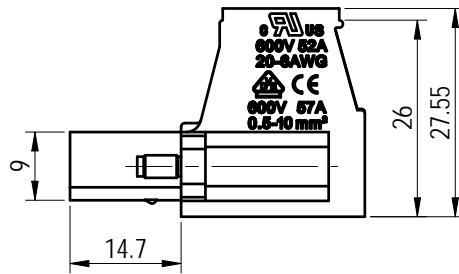
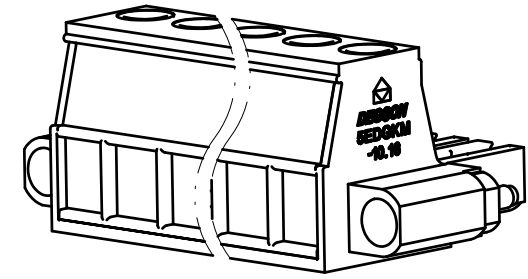
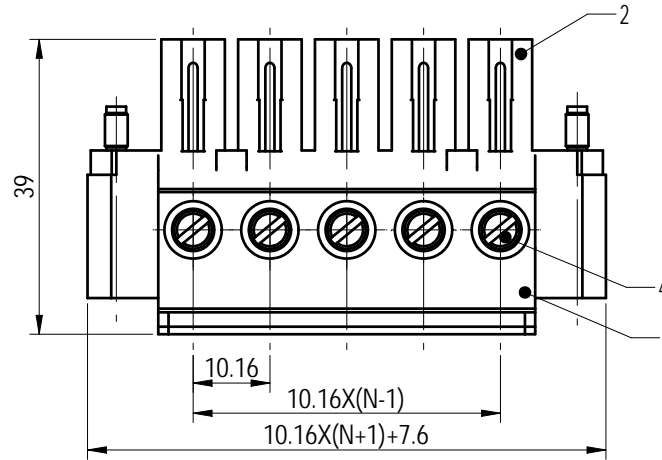


未注公差/General tolerances (mm)													0.1/10	
0	>3	>6	>10	>18	>30	>50	>80	>120	>180	>250	>315	>400		>500
~3	~6	~10	~18	~30	~50	~80	~120	~180	~250	~315	~400	~500	>500	
±0.12	±0.18	±0.22	±0.26	±0.31	±0.37	±0.57	±0.80	±0.93	±1.05	±1.15	±1.60	±2.20	±2.50	±2'

Transfer or duplication of this document as well as the utilization or communication of its contents are prohibited unless authorized in writing by the copyright owner. All rights reserved for patent, utility model or design registrations. 除专利等权利明确标注外, 未经许可, 不得复制或传播。 未经授权, 不得复制或传播。 未经许可, 不得复制或传播。



Note:

The A&Z(H) in the name means: A(H) and Z(H).

ITEM	NAME OF PART	MATERIAL	NOTES
7	Screw 2	Brass	Sn_Plated
6	Spring	Steel	/
5	Clamp	Copper	Ag_plated
4	Screw 1	Brass	Ni_Plated
3	Cage	Brass	Ni plated
2	Cover	PA66	UL94V-0
1	Housing	PA66	UL94V-0

UL 标准/UL Standard:	B	C	D
额定电压/电流/Rated Voltage(V)/Current(A)	600/52	600/52	600/5
IEC 标准/IEC Standard:			
过压类别/Overvoltage Category/污染等级/Pollution Degree	III/3	III/2	II/2
额定电压/电流/Rated Voltage(V)/Current(A)	600/57	/	/
额定脉冲电压(KV)/Rate Impulse Voltage(KV)	6	/	/
螺丝扭矩/Torque Tightening(N·m/Lb.in)	M4, 1.2/10.53		
线径范围(硬线和软线)/Wire Range (rigid and flexible)(AWG/mm <sup>2</sup> )	20~6/ 0.5~10		
间距/Pitch(mm)/线数范围/Poles	10.16/N=02~8P		
剥线长度/Stripping length(mm)	7~8		
使用温度范围/Operating temperature(°C)	-40~+105		
符合RoHS环保要求/Conform to RoHS	Yes		
标准颜色编号/Standard color number: PANTONE / RAL	/		

MATERIAL:	SURFACE/COLOR:		
MAT NO./REV: - / 00	MAT STATUS: 批量		
APPD: 兰春华 2022.09.09	NAME		
CHKD: 龚耀志 2022.09.08	5EDGKM-10.16-XXP-1Y-00A&Z(H)		
DRFT: 方哲盛 2022.09.08	DRAWING NO. 200019366	TYPE CUSTOMER DRAWING	DRAWING STATUS 已发布
比例尺 A4	SCALE 1:1	SHEET 1/1	

REV	ECN	DESCRIPTION	DRFT	DATE
00			方哲盛	2022.09.08