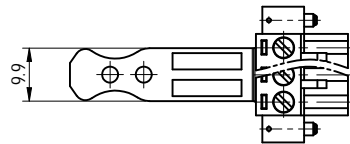
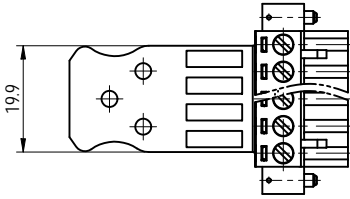


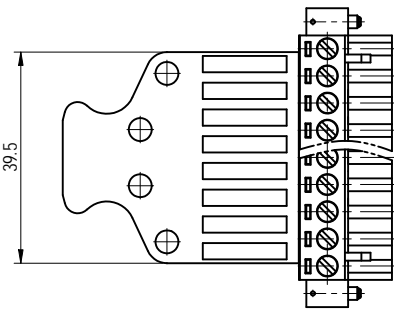
公差/General tolerances (mm)													$\frac{\text{D}}$	
0	>3	>6	>10	>18	>30	>50	>80	>120	>180	>250	>315	>400	>500	0.1/10
~	3	6	10	18	30	50	80	120	180	250	315	400	500	
													± 2	



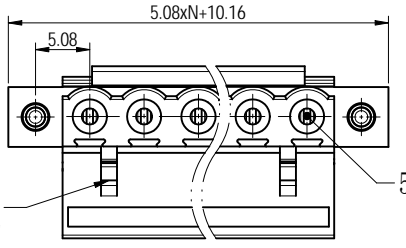
02P-03P



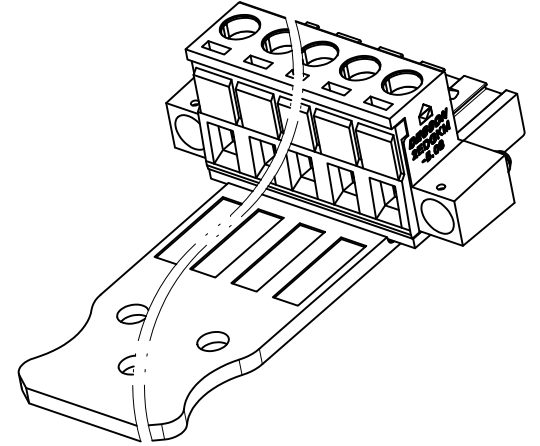
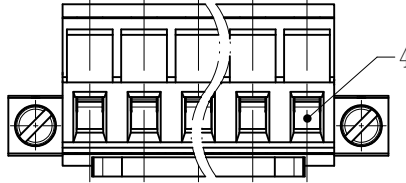
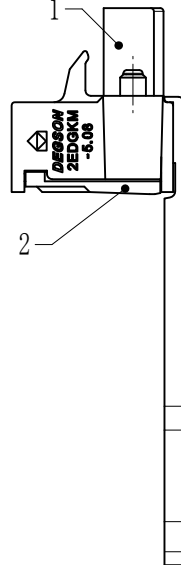
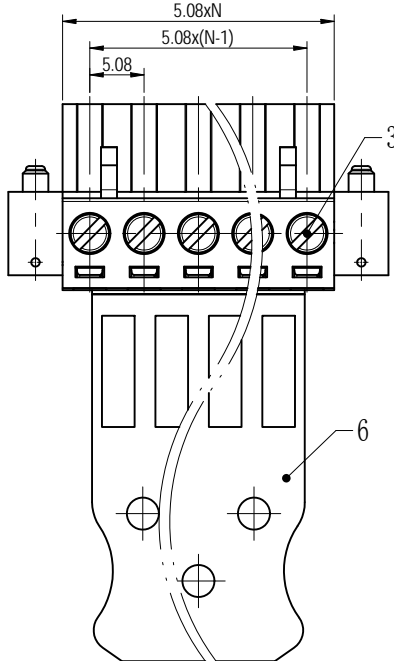
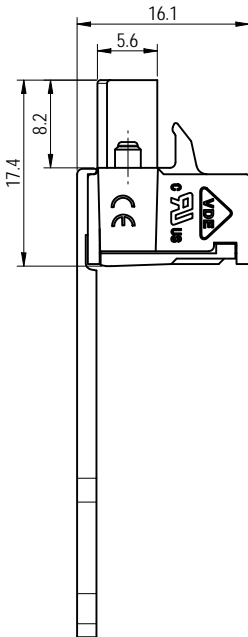
04P-07P



08P-16P



2P: Clasp on the left from this view



Note:
The A&Z(H) in the name means: A(H) and Z(H).

ITEM	NAME OF PART	MATERIAL	NOTES
6	Housing 2	PA66	UL94V-0
5	Clamp	Copper alloy	Sn Plated
4	Cage	Copper alloy	M2.5/Ni Plated
3	Screw	Steel	M2.5/Zn Plated
2	Cover	PA66	UL94V-0
1	Housing 1	PA66	UL94V-0

UL 标准/UL Standard:	B	C	D
额定电压/电压/Rated Voltage(V)/Current(A)	300/15	/	300/10

IEC 标准/IEC Standard:	III/3	III/2	II/2
过压类别/Overvoltage Category/污染等级/Pollution Degree	III/3	III/2	II/2
额定电压/电压/Rated Voltage(V)/Current(A)	/	320/20	/
额定脉冲电压(KV)/Rate Impulse Voltage(KV)	/	4	/
螺丝扭矩/Torque Tightening(N·m/Lb.in)	M2.5: 0.4/3.54		
线径范围(硬线和软线)/Wire Range(rigid and flexible)(AWG/mm ²)	28~12/1.0~2.5		
间距/Pitch(mm)/线数范围/Poles	5.08/N=02~16P		
剥线长度/Stripping length(mm)	7~8		
使用温度范围/Operating temperature(°C)	-40~+105		
符合RoHS环保要求/Conform to RoHS	Yes		

	MATERIAL:	SURFACE/COLOR:
	MAT NO./REV: - / 00	MAT STATUS: 批量

APPD: 兰春华	2023.02.07	NAME: 2EDGKEM-5.08-XXP-1Y-00A&Z(H)
CHKD: 朱岳志	2023.02.07	
DRFT: 朱岳志	2023.02.06	
DRAWING NO. 200020197	TYPE CUSTOMER DRAWING	DRAWING STATUS 已发布
SCALE 2:1	SHEET 1/1	

REV	ECN	DESCRIPTION	DRFT	DATE
00			朱岳志	2023.02.06

Transfer or duplication of this document as well as the utilization of its contents in any form without the written permission of Digison Technology Co., Ltd. is strictly prohibited. All rights reserved for patent. 本文件及其内容之复制或在本文件内容之任何形式之利用，未经Digison Technology Co., Ltd.书面许可，均属严格禁止。所有权利保留，特此声明。