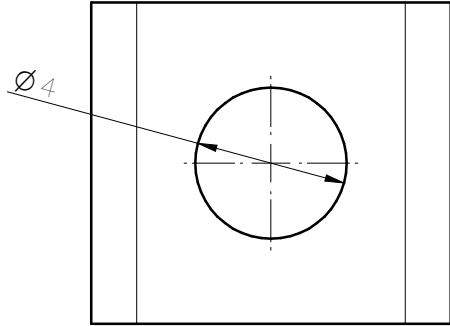
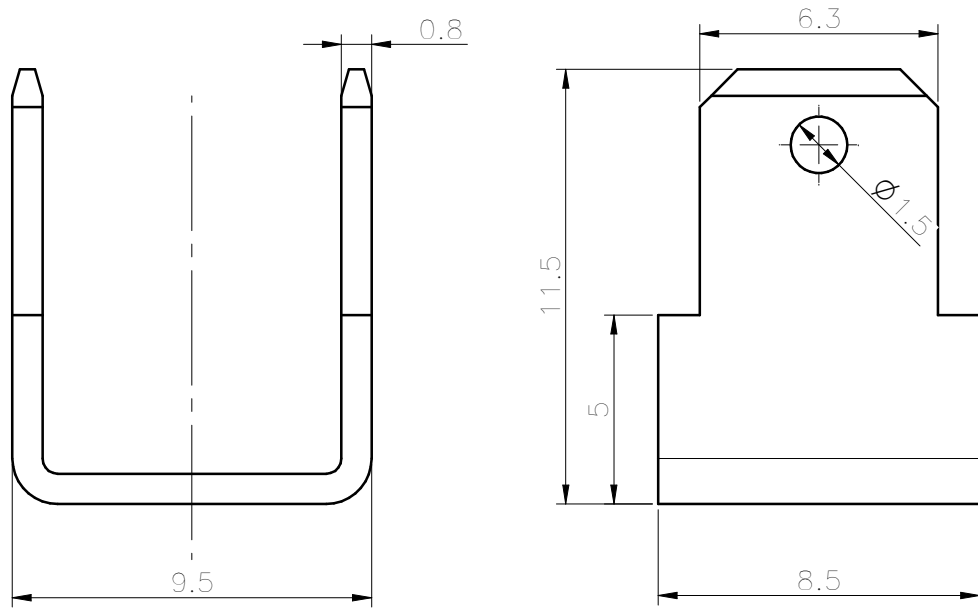


未注公差/General tolerances(mm)													0.1/10
0	>3	>6	>10	>18	>30	>50	>80	>120	>180	>250	>315	>400	
~3	~6	~10	~18	~30	~50	~80	~120	~180	~250	~315	~400	~500	>500
±0.12	±0.18	±0.22	±0.26	±0.31	±0.37	±0.57	±0.80	±0.93	±1.05	±1.15	±1.60	±2.20	±2.50



Note: The A&Z(H) in the name means :A(H) and Z(H).

ITEM	NAME OF PART	MATERIAL	NOTES
1	Pin header	Copper alloy	Sn plated

额定电流/Current(A)	24A
符合RoHS环保要求/Conform to RoHS	Yes

DEGSON		MATERIAL: /	SURFACE/COLOR: /
		MAT NO./REV: - / 00	MAT STATUS: /
APPD: 核准人	核准日期	NAME	
CHKD: 审核人	审核日期	K1-00A&Z(H)	
DRFT: 设计人	设计日期		
DRAWING NO.	TYPE	DRAWING STATUS	SCALE SHEET
200006952	CUSTOMER DRAWING	/	5:1 1/1

REV	ECN	DESCRIPTION	DRFT	DATE
00	/	/	/	/

Transfer or duplication of this document as well as the utilization or communication of its contents are prohibited unless explicit authorization is granted. Violations will be liable for compensation. All rights reserved for patent, utility model or design registrations. 除经书面明确授权, 否则禁止转让、复制、刊印、交流本文件的內容。未经授权擅自复制或传播, 侵权者应当承担法律责任。本公司保留追究侵权者法律责任的权利。