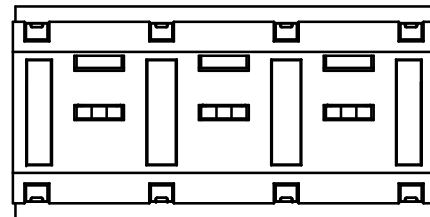
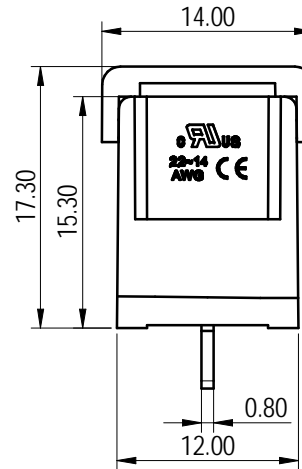
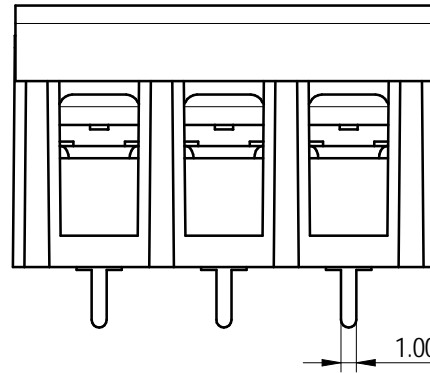
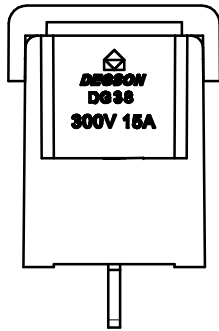
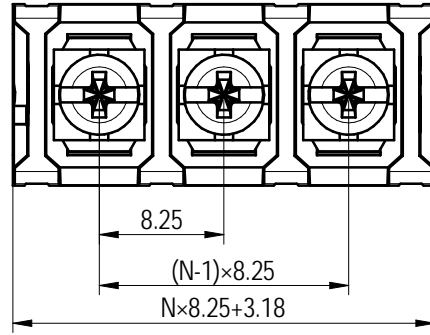


Transfer or duplication of this document as well as the utilization or communication of its contents are prohibited unless authorized in writing by Degson. All rights reserved for patent, utility model or design registrations. 除专利、实用新型、外观设计、发明专利、软件著作权、集成电路布图设计专有权、商标权等知识产权外，其他权利均归德松公司所有。

未注公差/General tolerances (mm)												0.1/10 ±2'		
0 ~ 3	>3 ~ 6	>6 ~ 10	>10 ~ 18	>18 ~ 30	>30 ~ 50	>50 ~ 80	>80 ~ 120	>120 ~ 180	>180 ~ 250	>250 ~ 315	>315 ~ 400		>400 ~ 500	>500
±0.12	±0.18	±0.22	±0.26	±0.31	±0.37	±0.57	±0.80	±0.93	±1.05	±1.15	±1.60	±2.20	±2.50	



Note: The A&Z(H) in the name means :A(H) and Z(H).

ITEM	NAME OF PART	MATERIAL	NOTES
4	Cover	PC	UL94V-2
3	Pin header	Copper alloy	Sn Plated
2	Screw	Steel	Ni Plated
1	Housing	PA66+GF	UL94V-0

UL 标准/UL Standard:	B	C	D
额定电压/电流/Rated Voltage(V)/Current(A)	300/15	/	300/10
螺丝扭矩/Torque Tightening(N·m/Lb.in)	M3: 0.5/4.43		
线径范围(硬线和软线)/Wire Range(rigid and flexible)(AWG)	22-14		
间距/Pitch(mm)/线数范围/Poles	8.25/N=02-26P		
使用温度范围/Operating temperature(°C)	-40~+105		
符合RoHS环保要求/Conform to RoHS	Yes		

		MATERIAL: /	SURFACE/COLOR: /	
APPD: 核准人		MAT NO./REV: /	MAT STATUS: /	
CHKD: 审核人		NAME		
DRFT: 设计人		DG38C-B-XXP-1Y-00A&Z(H)		
00	/	DRAWING NO.	TYPE	DRAWING STATUS
REV	ECN	200218726	CUSTOMER DRAWING	/
/		SCALE	SHEET	
/		2:1	1/1	

REV	ECN	DESCRIPTION	DRFT	DATE
00	/	/	/	/