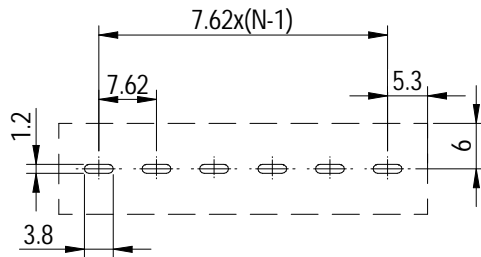
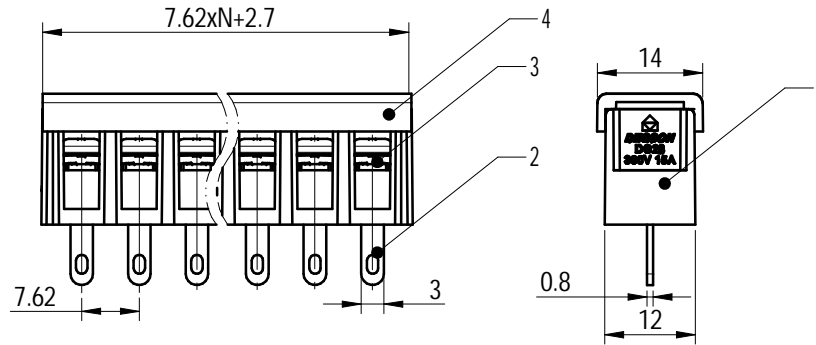
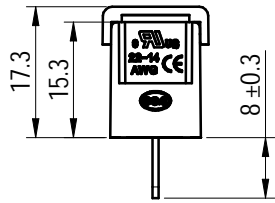
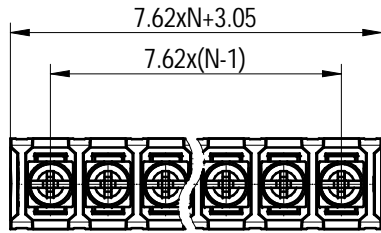


未注公差/General tolerances (mm)												0.1/10		
0 ~ 3	>3 ~ 6	>6 ~ 10	>10 ~ 18	>18 ~ 30	>30 ~ 50	>50 ~ 80	>80 ~ 120	>120 ~ 180	>180 ~ 250	>250 ~ 315	>315 ~ 400		>400 ~ 500	>500
±0.12	±0.18	±0.22	±0.26	±0.31	±0.37	±0.57	±0.80	±0.93	±1.05	±1.15	±1.60	±2.20	±2.50	±2'



Note: The A&Z (H) in the name means :A(H) and Z(H)

ITEM	NAME OF PART	MATERIAL	NOTES
4	Cover	PC	/
3	Screw	Steel	M3/Ni plated
2	Pin header	Brass	M3/Sn plated
1	Housing	PA66+25%GF	UL94V-0

UL 标准/UL Standard:		B	C	D
额定电压/电流/Rated Voltage(V)/Current(A)		300/15	/	300/10
螺丝扭矩/Torque Tightening(N·m/Lb.in)		M3, 0.5/4.43		
线径范围(硬线和软线)/Wire Range(rigid and flexible)(AWG/mm²)		22~14 / 0.32~2.1		
间距/Pitch(mm)/线数范围/Poles		7.62/N=02~26P		
使用温度范围/Operating temperature(°C)		-40~+105		
符合RoHS环保要求/Conform to RoHS		Yes		

		MATERIAL: /		SURFACE/COLOR: /	
		MAT NO./REV: /		MAT STATUS: /	
APPD: 核准人	核准日期	NAME			
CHKD: 审核人	审核日期	DG28H-B-XXP-1Y-00A&Z (H)			
DRFT: 设计人	设计日期	DRAWING NO.	TYPE	DRAWING STATUS	SCALE
⑤	A4	200321761	CUSTOMER DRAWING	/	1:1
					SHEET 1/1

REV	ECN	DESCRIPTION	DRFT	DATE
00	/	/	/	/

Transfer or duplication of this document as well as the utilization or communication of its contents are prohibited unless authorized in general. Violations will be liable for compensation. All rights reserved for patent, utility model or design registrations. 除专利、实用新型、外观设计、发明专利外，本公司保留所有权利。未经许可，不得复制或传播本文件内容。本公司保留所有权利。未经许可，不得复制或传播本文件内容。