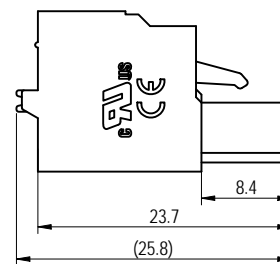
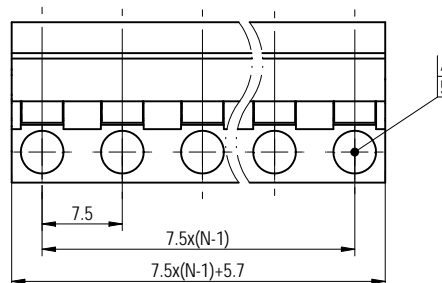
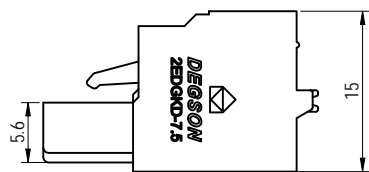
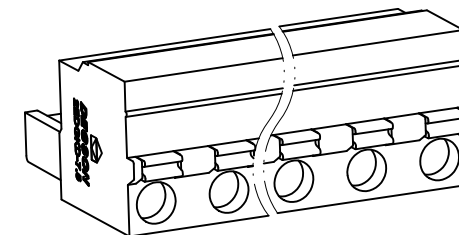
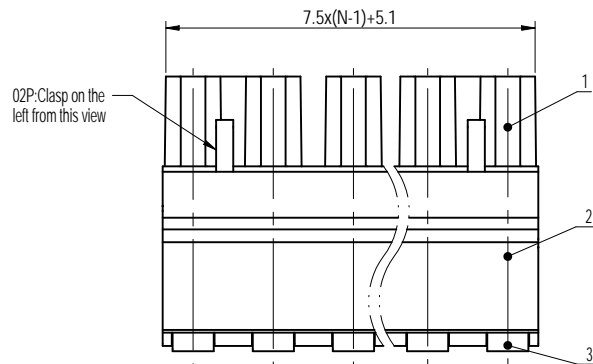


未注公差/General tolerances(mm)											0.1/10 ±2'	
0	>3	>6	>10	>18	>30	>50	>80	>120	>180	>250		>315
~	~	~	~	~	~	~	~	~	~	~	~	~
±0.12	±0.18	±0.22	±0.26	±0.31	±0.37	±0.57	±0.80	±0.93	±1.06	±1.15	±1.60	±2.20
												±2.50



Note:  
The A&Z(H) in the name means: A(H) and Z(H).

ITEM	NAME OF PART	MATERIAL	NOTES
5	Spring	Stainless steel	/
4	Clamp	Copper alloy	Sn Plated
3	Button	PA66	UL94V-0
2	Housing	PA66	UL94V-0
1	Cover	PA66	UL94V-0

UL 标准/UL Standard:	B	C	D
额定电压/电流/Rated Voltage(V)/Current(A)	300/10	/	300/10
IEC 标准/IEC Standard:			
过压类别/Overvoltage Category/污染等级/Pollution Degree	III/3	III/2	II/2
额定电压/电流/Rated Voltage(V)/Current(A)	/	400/20	/
额定脉冲电压(KV)/Rate Impulse Voltage(KV)	/	4	/
螺丝扭矩/Torque Tightening(N·m/Lb.in)			/
线径范围(硬线和软线)/Wire Range(rigid and flexible)(AWG/mm²)		26~12/ 0.2~2.5	
间距/Pitch(mm)/线数范围/Poles		7.5/N=02~16P	
剥线长度/Stripping length(mm)		9~10	
使用温度范围/Operating temperature(°C)		-40~+105	
符合RoHS环保要求/Conform to RoHS		Yes	
标准颜色编号/Standard color number: PANTONE / RAL		/	

		MATERIAL:		SURFACE/COLOR:	
APPD: 兰春华	2022.11.09	NAME:	2EDGKD-7.5-XXP-1Y-00A&Z(H)		
CHKD: 黄耀志	2022.11.08	DRAWING NO.:	200030427	TYPE:	CUSTOMER DRAWING
DRFT: 刘强	2022.11.08	DRAWING STATUS:	已发布	SCALE:	2:1
REV	ECN	DESCRIPTION	DRFT	DATE	SHEET
00				2022.11.08	1/1

Transfer or duplication of this document, as well as the utilization or reproduction of its contents without the written consent of the manufacturer, is prohibited. All rights reserved for patent. 未经许可复制或传播本文件内容，或未经制造商书面同意擅自使用或复制其内容，均属侵权行为。保留所有权利。