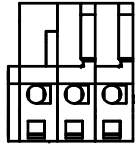
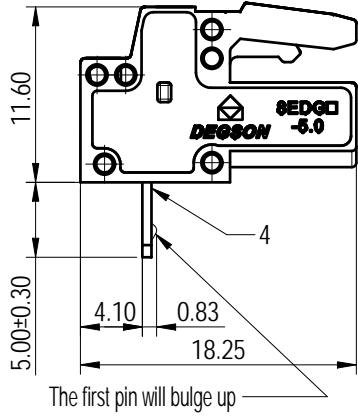
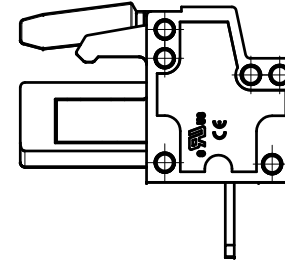
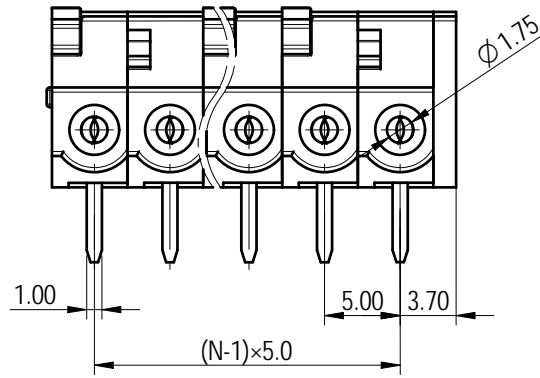
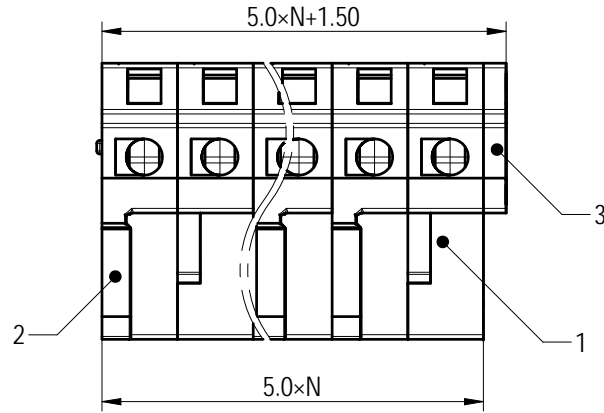


02P



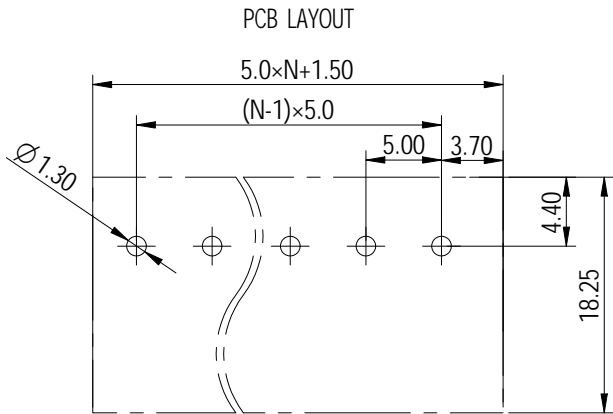
03P



未注公差/General tolerances (mm)											0.1/10		
0	>3	>6	>10	>18	>30	>50	>80	>120	>180	>250			
~3	~6	~10	~18	~30	~50	~80	~120	~180	~250	~315	~400	~500	±2'
±0.12	±0.18	±0.22	±0.26	±0.31	±0.37	±0.57	±0.80	±0.93	±1.05	±1.15	±1.60	±2.20	

ITEM	NAME OF PART	MATERIAL	NOTES
4	Clamp	Copper	Sn plated
3	Cover	PA66	UL94V-0
2	Housing2	PA66	UL94V-0
1	Housing1	PA66	UL94V-0

UL 标准/UL Standard:	B	C	D
额定电压/电流/Rated Voltage(V)/Current(A)	300/15	/	300/10
IEC 标准/IEC Standard:			
过压类别/Overvoltage Category/污染等级/Pollution Degree	III/3	III/2	II/2
额定电压/电流/Rated Voltage(V)/Current(A)	320/20	/	/
额定脉冲电压(KV)/Rate Impulse Voltage(KV)	4	/	/
间距/Pitch(mm)/线数范围/Poles	5.0/N=02~24P		
剥线长度/Stripping length(mm)	8~9		
使用温度范围/Operating temperature(°C)	-40~+105		
符合RoHS环保要求/Conform to RoHS	Yes		



DEGSON

APPD: 蓝贵凡 2022.12.19
 CHKD: 曹利彬 2022.12.19
 DRFT: 孙科豪 2022.12.19

MATERIAL: SURFACE/COLOR: PAYTONE 428C
 MAT NO./REV: / 00 MAT STATUS: 批量

NAME: 8EDGA-5.0-XXP-1Y-01A&Z(H)

DRAWING NO. TYPE DRAWING STATUS SCALE SHEET
 CUSTOMER DRAWING 已发布 2:1 1/1

REV	ECN	DESCRIPTION	DRFT	DATE
00				

Transfer or duplication of this document as well as the utilization or communication of its contents are prohibited unless authorized in advance. Violations will be treated as illegal activities and will be prosecuted. All rights reserved for patent. 除专利注明情况外，未经许可，不得复制或传播。本公司保留对涉及发明、实用新型和外观设计的所有权利。