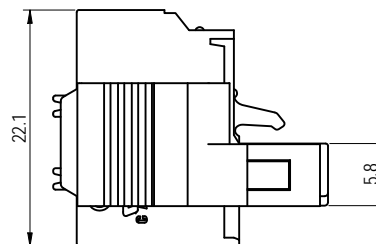
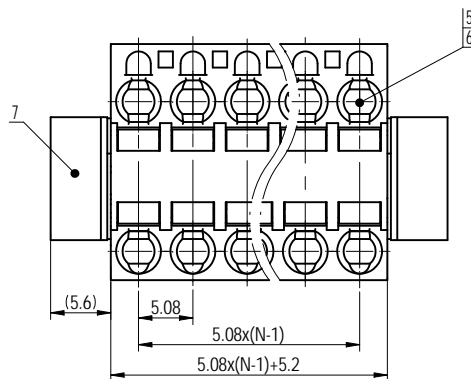
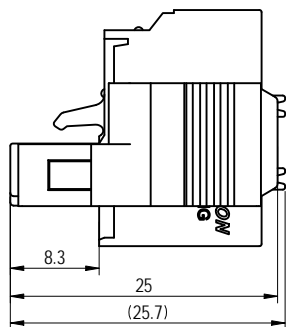
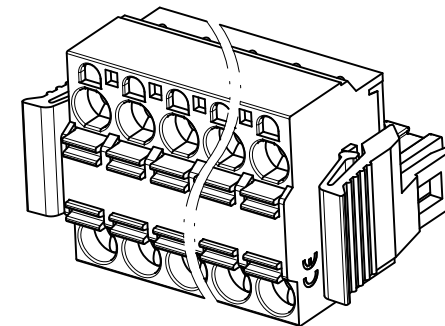
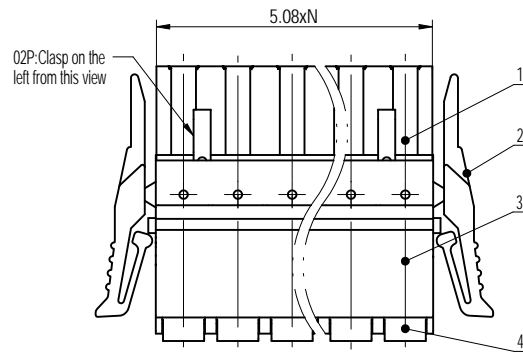


公差/General tolerances (mm)											0.1/10		
0	>3	>6	>10	>18	>30	>50	>80	>120	>180	>250	>315	>400	>500
~ 3	~ 6	~ 10	~ 18	~ 30	~ 50	~ 80	~ 120	~ 180	~ 250	~ 315	~ 400	~ 500	~ >500
±0.12	±0.18	±0.22	±0.26	±0.31	±0.37	±0.57	±0.80	±0.93	±1.05	±1.15	±1.60	±2.20	±2.50



Note:  
The A&Z(H) in the name means: A(H) and Z(H).

ITEM	NAME OF PART	MATERIAL	NOTES
7	Lever2	PA66	UL94V-0
6	Spring	Stainless steel	/
5	Clamp	Copper alloy	Sn Plated
4	Button	PA66	UL94V-0
3	Housing	PA66	UL94V-0
2	Lever1	PA66	UL94V-0
1	Cover	PA66	UL94V-0

UL 标准/UL Standard:	B	C	D
额定电压/电流/Rated Voltage(V)/Current(A)	300/12	/	300/10
IEC 标准/IEC Standard:	III/3	II/2	II/2
过压类别/Overvoltage Category/污染等级/Pollution Degree	250/12	320/12	630/12
额定电压/电流/Rated Voltage(V)/Current(A)	4	4	4
额定脉冲电压(KV)/Rate Impulse Voltage(KV)	26~12/ 0.2~2.5	5.08/N=02~24P	9~10
线径范围(硬线和软线)/Wire Range(rigid and flexible)(AWG/mm <sup>2</sup> )	-40~-+105	Yes	/
间距/Pitch(mm)/线数范围/Poles	符合RoHS环保要求/Conform to RoHS		
剥线长度/Stripping length(mm)	标准颜色编号/Standard color number: PANTONE / RAL		

**DEGSON** MATERIAL: SURFACE/COLOR: MAT NO./REV: / 00 MAT STATUS: 批量

APPD: 兰春华 2022.12.26 NAME: 2EDGKDHG-5.08-XXP-1Y-00A&Z(H)

CHKD: 黄耀志 2022.12.16

DRFT: 刘强 2022.12.16

DRAWING NO. 200030542 TYPE CUSTOMER DRAWING DRAWING STATUS 已发布 SCALE 2:1 SHEET 1/1

REV	ECN	DESCRIPTION	DRFT	DATE
00			刘强	2022.12.16

Transfer or duplication of this document, as well as the utilization or manufacturing of products without the written consent of DEGSON, is strictly prohibited. All rights reserved for patent.