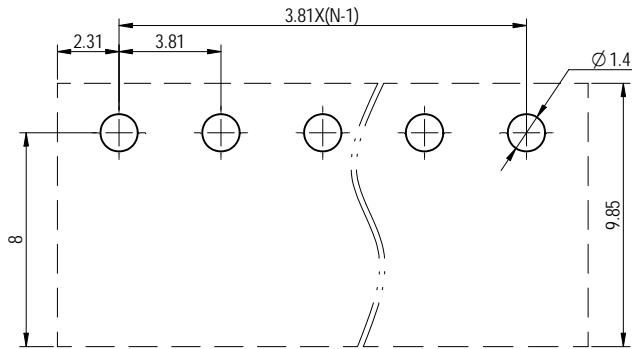
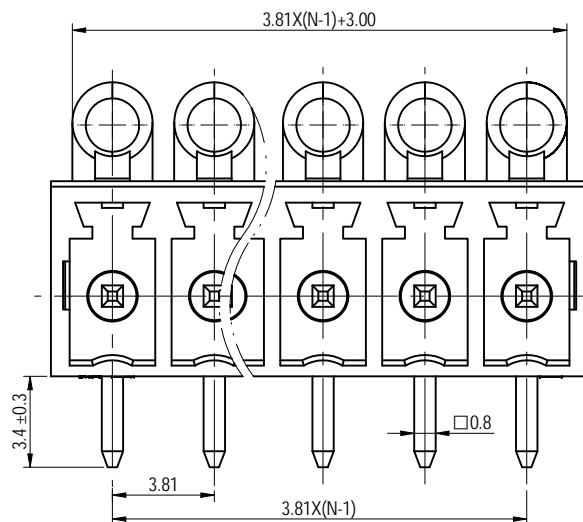
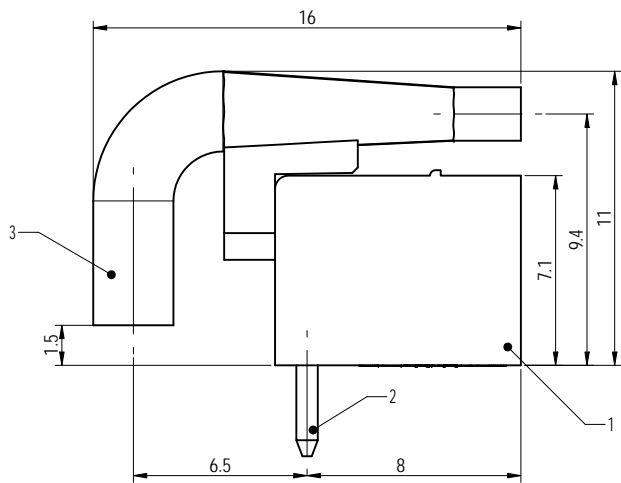
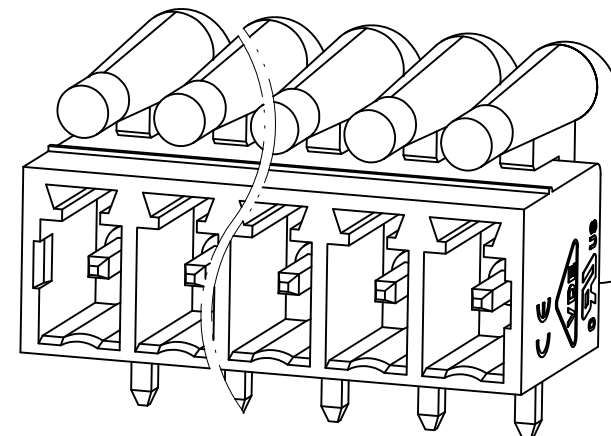
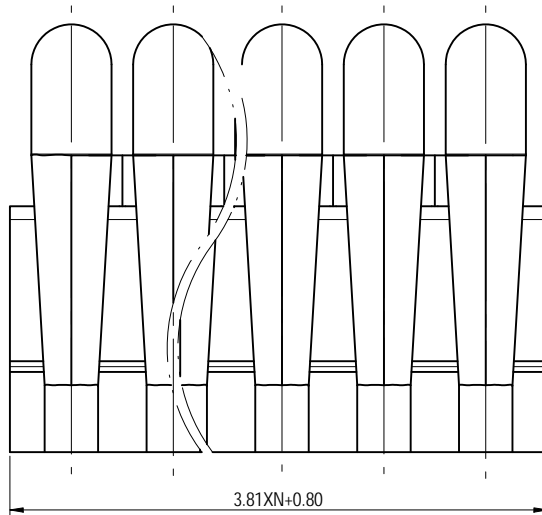


PCB LAYOUT



公差/General tolerances (mm)											D			
0	>3	>6	>10	>18	>30	>50	>80	>120	>180	>250	>315	>400	>500	0.1/10
~	3	6	10	18	30	50	80	120	180	250	315	400	500	±
	±0.12	±0.18	±0.22	±0.26	±0.31	±0.37	±0.57	±0.80	±0.93	±1.05	±1.15	±1.60	±2.20	±2.50



Note:
The A&Z(H) in the name means: A(H) and Z(H).

3	Housing2	PC	UL94V-2/0
2	Pin	Copper alloy	Sn Plated
1	Housing	PA66	UL94V-0
ITEM	NAME OF PART	MATERIAL	NOTES

UL 标准/UL Standard:	B	C	D
额定电压/电流/Rated Voltage(V)/Current(A)	300/8	/	300/8
IEC 标准/IEC Standard:			
过压类别/Overvoltage Category/污染等级/Pollution Degree	III/3	III/2	II/2
额定电压/电流/Rated Voltage(V)/Current(A)	/	/	250/7
额定脉冲电压(KV)/Rate Impulse Voltage(KV)	/	/	2.5
间距/Pitch(mm)/线数范围/Poles	3.81/N=02-22P		
使用温度范围/Operating temperature(°C)	-40~+105		
符合RoHS环保要求/Conform to RoHS	Yes		
标准颜色编号/Standard color number: PANTONE / RAL	/		

	MATERIAL:		SURFACE/COLOR:	
	MAT NO./REV: - / 00		MAT STATUS: 批量	
APPD: 兰春华	2022.10.20	NAME		
CHKD: 黄耀志	2022.10.19	15EDGRC-LD-3.81-XXP-1Y-00A&Z(H)		
DRFT: 方哲盛	2022.10.19	DRAWING NO.	TYPE	DRAWING STATUS
		200019411	CUSTOMER DRAWING	已发布
			SCALE	SHEET
			5:1	1/1

REV	ECN	DESCRIPTION	DRFT	DATE
00			方哲盛	2022.10.19

Transfer or duplication of this document as well as the utilization of its contents without the written permission of the manufacturer is prohibited. All rights reserved for patent. 复制或再行发布此文件以及其内容之利用，未经制造商之书面许可，均属侵权行为。保留所有权利。保留所有权利。