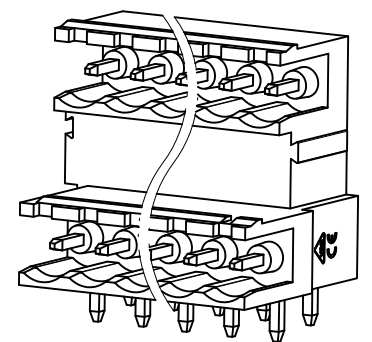
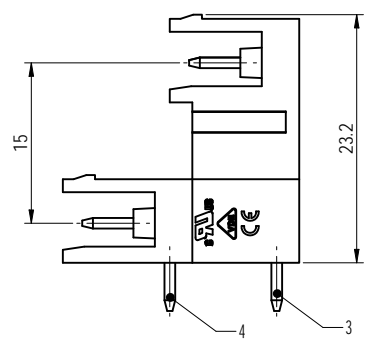
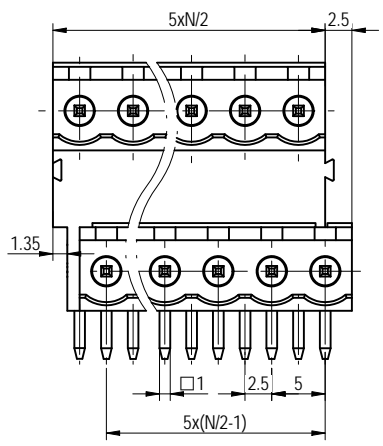
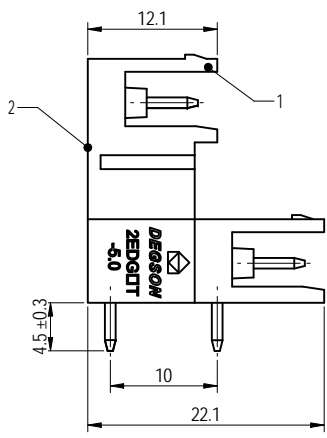
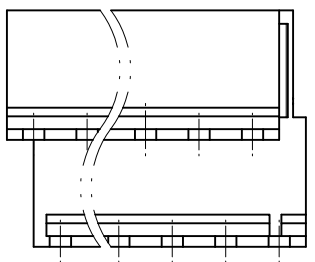
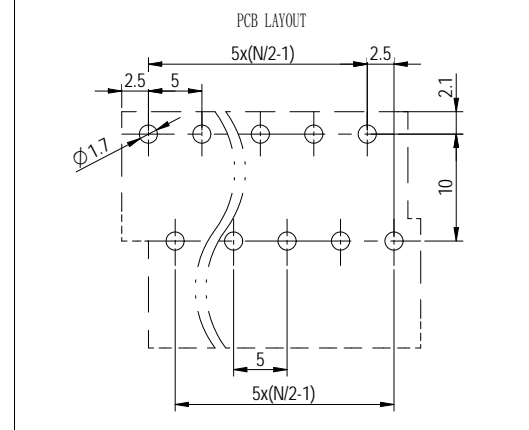


Transfer or duplication of this document as well as the utilization of its contents in any form without the written permission of DEIGSON is prohibited. All rights reserved for patent. 未经许可复制或传播本文件及其内容，或以任何形式使用其内容，均须经DEIGSON公司书面许可。DEIGSON公司保留所有权利。如有侵权，DEIGSON公司将依法追究。

公差表/General tolerances (mm)													D	
0	>3	>6	>10	>18	>30	>50	>80	>120	>180	>250	>315	>400		>500
±0.12	±0.18	±0.22	±0.26	±0.31	±0.37	±0.57	±0.80	±0.93	±1.05	±1.15	±1.60	±2.20	±2.50	±2



Note:
The A&Z(H) in the name means:A(H) and Z(H).

ITEM	NAME OF PART	MATERIAL	NOTES
4	Short Pin	Copper	Sn Plated
3	Long Pin	Copper	Sn Plated
2	Cover	PA66	UL94V-0
1	Housing	PA66	UL94V-0

UL 标准/UL Standard:	B	C	D
额定电压/电流/Rated Voltage(V)/Current(A)	300/15	/	300/10
IEC 标准/IEC Standard:			
过压类别/Overvoltage Category/污染等级/Pollution Degree	III/3	III/2	II/2
额定电压/电流/Rated Voltage(V)/Current(A)	/	320/10	/
额定脉冲电压(KV)/Rate Impulse Voltage(KV)	/	4	/
间距/Pitch(mm)/线数范围/Poles	5.0/N=04~48P		
使用温度范围/Operating temperature(°C)	-40~+105		
符合RoHS环保要求/Conform to RoHS	Yes		

	MATERIAL:	SURFACE/COLOR:
	MAT NO./REV: - / 00	MAT STATUS: 批量

APPD: 兰春华	2022.12.05	NAME:	2EDGRT-5.0-XXP-1Y-00A&Z(H)			
CHKD: 黄耀志	2022.12.05	DRAWING NO.:	200021224	TYPE:	CUSTOMER DRAWING	
DRFT: 周锦德	2022.12.02	DRAWING STATUS:	已发布	SCALE:	1:1	
REV:	ECN:	DESCRIPTION:	DRFT:	DATE:	SHEET:	

REV	ECN	DESCRIPTION	DRFT	DATE
00			周锦德	2022.12.02