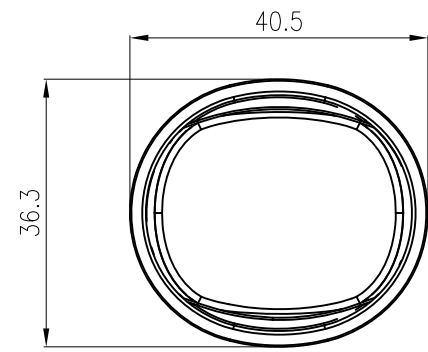
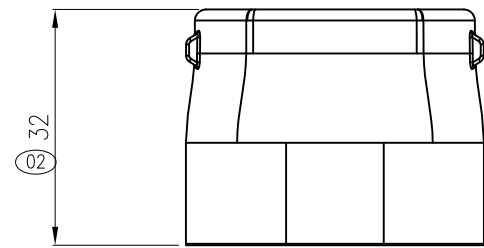


Transfer or indication of this document as well as the indication or communication of its contents are prohibited unless explicit authorizations will be made for compensation. All rights reserved for patent, utility, model, or design registrations. 非经书面明确授权, 否则禁止转让、复制、利用、交流本文档的内容。未经书面明确授权, 严禁以任何形式复制或传播本文档的所有权利。

Dimensional tolerance(mm)					Length tolerance(mm)				0.10/10 /
0 ~ 30	>30 ~ 60	>60 ~ 100	>100 ~ 150	>150	0 ~ 5000	5000 ~ 10000	10000 ~ 30000	>30000	
±0.25	±0.35	±0.55	±0.80	±1.10	±55	±105	±205	±505	±2'
使用温度范围/Operating temperature(°C)						-40~+85			
防护等级/Ingress Protection						IP66(Mated)			
符合RoHS环保要求/Conform to RoHS						Yes			



02		增加5mm	YZH	2024.04.12
01		取消卡扣结构	YJH	2024.04.12
REV	ECN	DESCRIPTION	DRFT	DATE

		MATERIAL:	/	SURFACE/COLOR:	/
		MAT NO./REV:	00	MAT STATUS:	/
APPD: / /		NAME			
CHKD: / /		CAP-PV-ST-US-FM-PBC-01P-6-00Z (H)			
DRFT: Yuan ZH 2024.04.03		DRAWING NO.	TYPE	DRAWING STATUS	SCALE
A4		/	CUSTOMER DRAWING	/	1:1
					SHEET
					1/1