

DPSVSeries

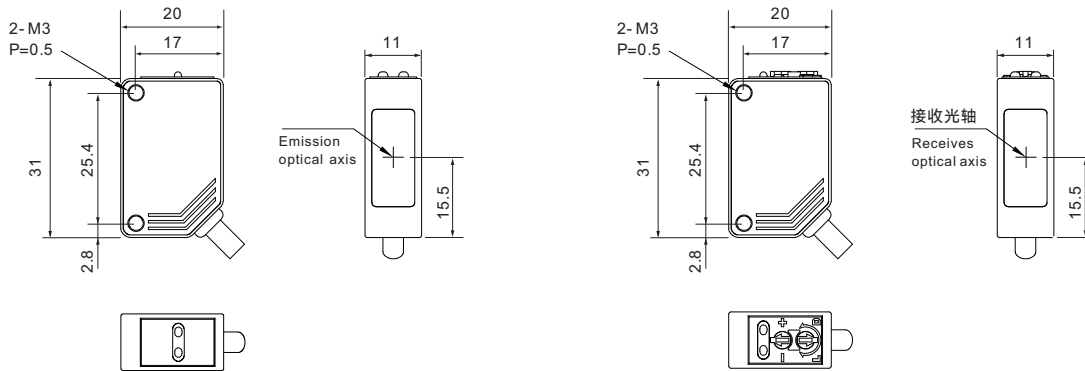


Model	
NPN	DPSV-T500N
PNP	DPSV-T500P
Basic Features	
Working principle	Photoelectric Sensors
Enclosure style	Square
How optics work	Counter-shooting
Detection distance	5000mm
Spot size	N/ A(Infrared)
Detection	Ø60mm
Light source	Infrared LEDs 940nm (modulated)
Light	Output function: red LED, operating status: green LED
Sensitivity regulation	None
Electrical Data	
Switch mode	Light.on (Light Action) / D.on (shading action) Switchable
Output mode	NPN or PNP open collector
Response time	≤5ms
Switching frequency	0.4 kHz
Repeatability	/
Hysteresis (Return/ Response)	/
Operating voltage	10~30V DC
Current consumption	≤20mA
Residual voltage	≤1.5V (100mA)
Load current	≤100mA
Insulation resistance	between power terminal and housing ≥50MΩ (500VDC)
Resistance	1000VAC (50/60Hz), 1 minute between power terminal and housing
Protection circuits	Power supply reverse polarity protection/surge protection/short circuit protection
Environmental Conditions	
Operating ambient temperature	-25 ~55°C (no freezing)
Storage temperature	-30~70°C (non-icing)
Humidity of the working environment	35~85%RH (no condensation)
Store humidity	35~95%RH (no condensation)
Ambient illumination	/
Anti-vibration	10~50Hz sweep, 0.5mm amplitude, XYZ 3 directions for 2 hours each
Ingress protection	IP65
Mechanical Data	
Maximum tightening torque	≤ 0.5Nm
Connection	2m/3 core cable
Size	11.0x31.0x20.0mm
Material	PBT + fiberglass
Weight	0.095/0.05kg
Fittings	Screwdriver

DPSV Series

Dimensions

DPSV-T500



Unit: mm

Wiring Diagram

