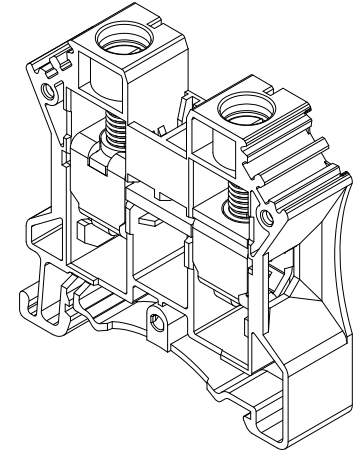
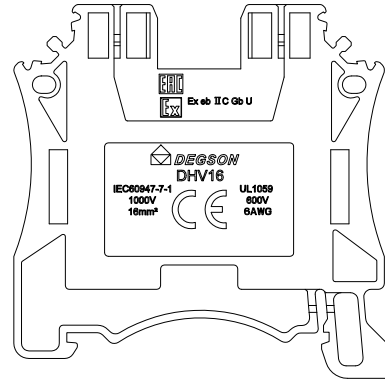
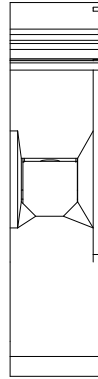
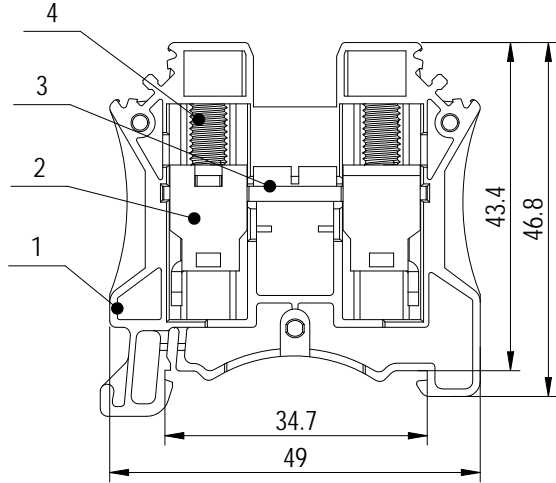
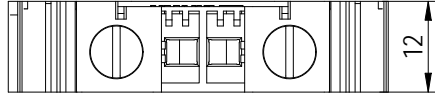


未注公差/General tolerances (mm)													0.1/10 ±2'	
0	>3	>6	>10	>18	>30	>50	>80	>120	>180	>250	>315	>400		>500
~3	~6	~10	~18	~30	~50	~80	~120	~180	~250	~315	~400	~500		
±0.12	±0.18	±0.22	±0.26	±0.31	±0.37	±0.57	±0.80	±0.93	±1.05	±1.15	±1.60	±2.20	±2.50	



UL 标准/UL Standard:	B	C	D
额定电压/电流/Rated Voltage(V)/Current(A)	600/100	600/100	/
IEC 标准/IEC Standard:			
过压类别/Overtoltage Category/污染等级/Pollution Degree	III/3	III/2	II/2
额定电压/电流/Rated Voltage(V)/Current(A)	1000/76	/	/
额定脉冲电压(KV)/Rate Impulse Voltage(KV)	8	/	/
螺丝扭矩/Torque Tightening(N·m/Lb.in)	M6, 2.5/22.2		
线径范围(硬线和软线)/Wire Range(rigid and flexible)(AWG/mm²)	14- 3/ 1.5- 25		
间距/Pitch(mm)/线数范围/Poles	12/01P		
剥线长度/Stripping length(mm)	12- 13		
使用温度范围/Operating temperature(°C)	-40~ +105		
符合RoHS环保要求/Conform to RoHS	Yes		
标准颜色编号/Standard color number: PANTONE/ RAL	/		

ITEM	NAME OF PART	MATERIAL	NOTES
4	Screw	Steel	Zn Plated
3	Current carrier	Copper	Sn Plated
2	Cage	Stell	Zn Plated
1	Housing	PA66	UL94V-0



MATERIAL: /	SURFACE/COLOR: /
MAT NO./REV: /	MAT STATUS: 批量
APPD: Peng M 2024.01.04	NAME
CHKD: Lu JK 2024.01.04	DHV16-01P-11-00Z (H)
DRFT: Ye XD 2024.01.04	DRAWING NO. /

00	/	New Product	Ye XD	2024.01.04	DRFT: Ye XD 2024.01.04	DRAWING NO. /	TYPE	DRAWING STATUS	SCALE	SHEET
REV	ECN	DESCRIPTION	DRFT	DATE			CUSTOMER DRAWING	work	1:1	1/1

Transfer or duplication of this document as well as the utilization or communication of its content are prohibited unless explicitly permitted. Violations will be treated as copyright infringement. All rights reserved for patent, utility model or design registrations. 除专利、实用新型、外观设计、软件著作权等知识产权外，本公司保留其他所有权利。