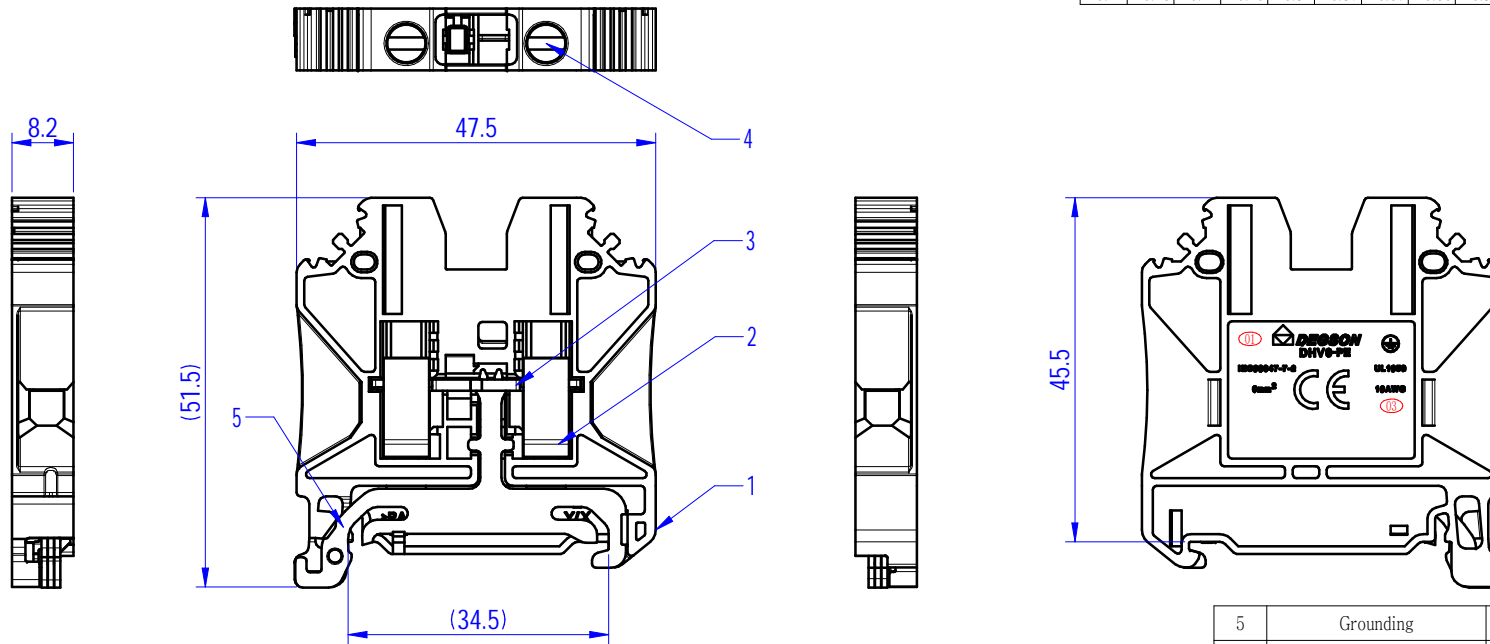


未注公差/General tolerances (mm)												0.1/10 ±2'	
0	>3	>6	>10	>18	>30	>50	>80	>120	>180	>250	>315		>400
~3	~6	~10	~18	~30	~50	~80	~120	~180	~250	~315	~400	~500	>500
±0.12	±0.18	±0.22	±0.26	±0.31	±0.37	±0.57	±0.80	±0.93	±1.05	±1.15	±1.60	±2.20	±2.50



ITEM	NAME OF PART	MATERIAL	NOTES
5	Grounding	Copper Alloy	Sn Plated
4	Screw	Brass	M4 Ni Plated
3	Current Carrier	Copper Alloy	Sn Plated
2	Cage	Brass	Ni Plated
1	Housing	PA66	UL94 V-0

UL 标准/UL Standard:	B	C	D
额定电压/电流/Rated Voltage(V)/Current(A)	/	/	/
IEC 标准/IEC Standard:			
过压类别/Overvoltage Category/污染等级/Pollution Degree	III/3	III/2	II/2
额定电压/电流/Rated Voltage(V)/Current(A)	/	/	/
额定脉冲电压(KV)/Rate Impulse Voltage(KV)	8	/	/
螺丝扭矩/Torque Tightening(N·m/Lb.in)	M4, 1.5~1.8/13.28~15.94		
线径范围(硬线和软线)/Wire Range(rigid and flexible)(AWG/mm ²)	24~10/0.2~6.0		
间距/Pitch(mm)/线数范围/Poles	8.2/N=01P		
剥线长度/Stripping length(mm)	10~11		
环境温度(运行)/Ambient temperature (operation)(°C)	-60~+105(最高短期工作温度, 电气特性相对温度。)		
符合RoHS环保要求/Conform to RoHS	Yes		

		MATERIAL:	SURFACE/COLOR: 黄绿混色塑料		
APPD: Peng M 2023.12.19		MAT NO./REV: 11010001085-1 / 00.02	MAT STATUS: 批量		
CHKD: Lu JK 2023.12.19		NAME			
DRFT: Chen KZ 2023.12.19		DHV6-PE-01P-1C-00A&Z(H)			
DRAWING NO.	TYPE	DRAWING STATUS	SCALE	SHEET	
200105022	CUSTOMER DRAWING	已发布	1:1	1/1	

REV	ECN	DESCRIPTION	DRFT	DATE
03		Design change housing part	Chen KZ	2023.12.19

Transfer or duplication of this document as well as the utilization or communication of its contents are prohibited unless explicitly authorized by Degson. All rights reserved for patent, utility model or design registrations. 除专利、实用新型、外观设计、软件著作权等知识产权外, 其他权利均归德松公司所有。 未经授权, 禁止复制或传播本文件内容。 德松公司保留所有权利。 未经许可, 不得复制或传播本文件内容。