

| 未注公差/General tolerances (mm) | | | | | | | | | | | | | |
|------------------------------|-------|-------|-------|-------|-------|-------|-------|-------|-------|-------|-------|-------|---------------|
| 0 | >3 | >6 | >10 | >18 | >30 | >50 | >80 | >120 | >180 | >250 | >315 | >400 | 0.1/10 ±2' |
| ~3 | ~6 | ~10 | ~18 | ~30 | ~50 | ~80 | ~120 | ~180 | ~250 | ~315 | ~400 | >500 | |
| ±0.12 | ±0.18 | ±0.22 | ±0.26 | ±0.31 | ±0.37 | ±0.57 | ±0.80 | ±0.93 | ±1.05 | ±1.15 | ±1.60 | ±2.20 | ±2.50 |

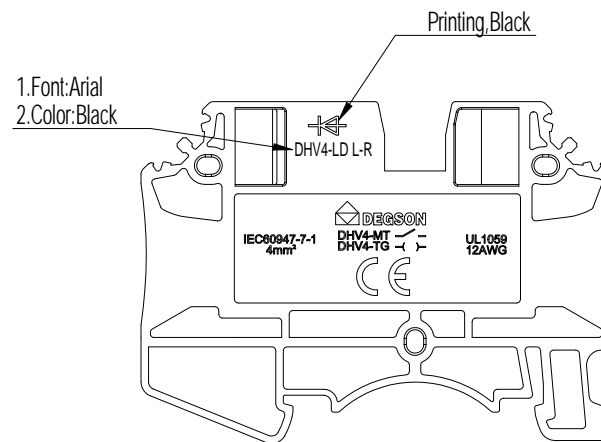
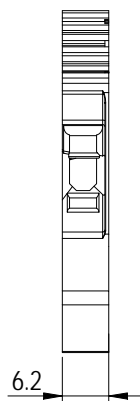
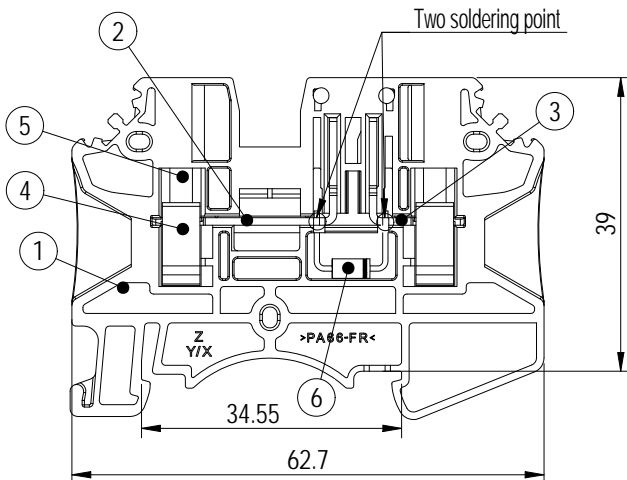
| | | | |
|--|--|-------|------|
| IEC 标准/IEC Standard: | | | |
| 过压类别/Over voltage Category/污染等级/Pollution Degree | III/3 | III/2 | II/2 |
| 额定电压/电流/Rated Voltage(V)/Current(A) | 250/0.5 | / | / |
| 最大逆向耐压/Reverse Voltage(KV) | 1 | / | / |
| 螺丝扭矩/Torque Tightening(N·m/Lb.in) | M3, 0.5/4.43 | | |
| 线径范围(硬线和软线)/Wire Range(rigid and flexible)(AWG) | 26~12 / 0.14~4.0 最大裸线: 10AWG/6mm ² | | |
| 间距/Pitch(mm)/线数范围/Poles | 6.2/N=01P | | |
| 剥线长度/Stripping length(mm) | 9~10 | | |
| 使用温度范围/Operating temperature(°C) | -60~+105(最高短期工作温度, 电气特性相对温度。) | | |
| 符合RoHS环保要求/Conform to RoHS | Yes | | |

A

B

C

D



| 6 | Diode | / | IN4007 |
|------|-------------------|--------------|-----------|
| 5 | Screw | Copper alloy | Ni plated |
| 4 | Cage | Copper alloy | Ni plated |
| 3 | Current carrier 2 | Copper alloy | Sn plated |
| 2 | Current carrier 1 | Copper alloy | Sn plated |
| 1 | Housing | PA66 | UL94V-0 |
| ITEM | NAME OF PART | MATERIAL | NOTES |

| | | | | | |
|----------------|------------|----------------------------|-----------------------|------------------|-----------|
| | | MATERIAL: / | SURFACE/COLOR: / | | |
| | | MAT NO./REV: / | MAT STATUS: 批量 | | |
| APPD: Peng M | 2024.07.01 | NAME | | | |
| CHKD: Gao WG | 2024.07.01 | DHV4-LD L-R-01P-11-00Z (H) | | | |
| DRFT: Huang RJ | 2024.07.01 | DRAWING NO. / | TYPE Customer Drawing | DRAWING STATUS / | SCALE 1:1 |
| | | | | SHEET 1/1 | |

| 00 | / | New product | Huang RJ | 2024.07.01 |
|-----|-----|-------------|----------|------------|
| REV | ECN | DESCRIPTION | DRFT | DATE |

Transfer or duplication of this document as well as the utilization or communication of its contents are prohibited unless explicit authorization is granted. Violations will be liable for compensation. All rights reserved for patent, utility model or design registrations. 除本手册中明确授权外, 否则禁止复制或传播。 未经授权, 不得复制或传播。 本公司保留对涉及及专利、 实用新型和外观设计的所有权利。