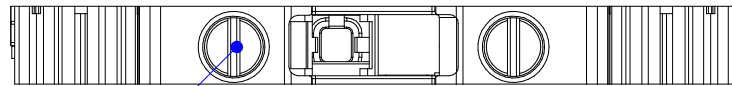
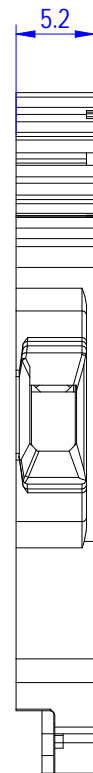
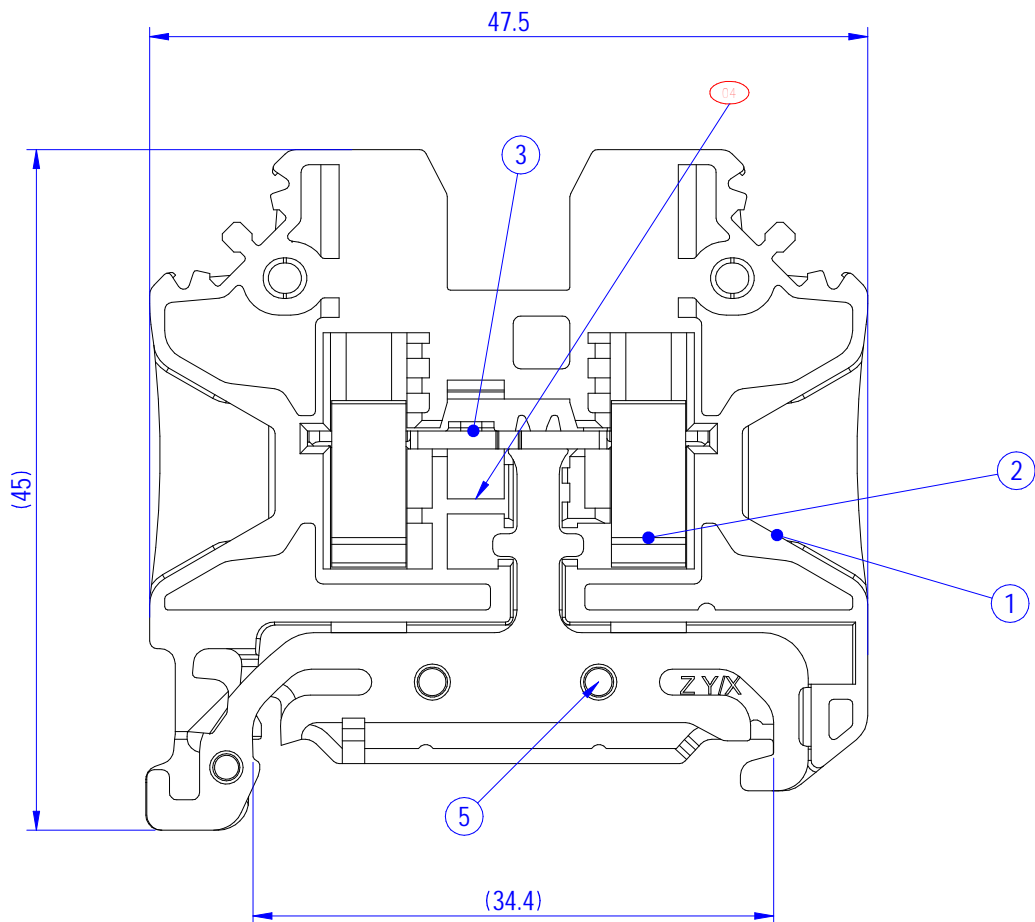


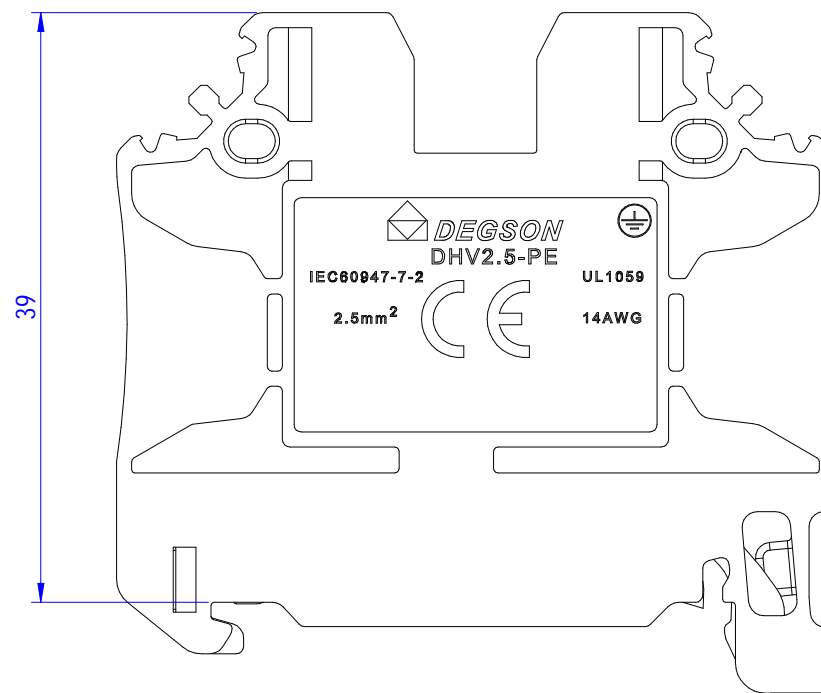
未注公差/General tolerances (mm)														
0	>3	>6	>10	>18	>30	>50	>80	>120	>180	>250	>315	>400	>500	0.1/10 ±2'
~3	~6	~10	~18	~30	~50	~80	~120	~180	~250	~315	~400	~500		
±0.12	±0.18	±0.22	±0.26	±0.31	±0.37	±0.57	±0.80	±0.93	±1.05	±1.15	±1.60	±2.20	±2.50	



4



5.2



39

ITEM	NAME OF PART	MATERIAL	NOTES
5	Grounding	Copper Alloy	Sn Plated
4	Screw	Copper Alloy	M3,Ni Plated
3	Current carrier	Copper Alloy	Sn Plated
2	Cage	Copper Alloy	Ni Plated
1	Housing	PA66	UL94 V-0

UL 标准/UL Standard:	B	C	D
额定电压/电流/Rated Voltage(V)/Current(A)	/	/	/
IEC 标准/IEC Standard:			
过压类别/Overvoltage Category/污染等级/Pollution Degree	III/3	III/2	II/2
额定电压/电流/Rated Voltage(V)/Current(A)	/	/	/
额定脉冲电压(KV)/Rate Impulse Voltage(KV)	8	/	/
螺丝扭矩/Torque Tightening(N·m/Lb.in)	M3, 0.5~0.6/4.43~5.32		
线径范围(硬线和软线)/Wire Range(rigid and flexible)(AWG/mm²)	26~14.12(SOL)0.14~2.5.4(SOL)		
间距/Pitch(mm)/线数范围/Poles	5.20/N=01P		
剥线长度/Stripping length(mm)	9~10		
使用温度范围/Operating temperature(°C)	-60~+105		
符合RoHS环保要求/Conform to RoHS	Yes		



APPD: Peng M	2024.05.31	MATERIAL:	SURFACE/COLOR: 黄绿混色
CHKD: Gao WG	2024.05.31	MAT NO./REV: 11010001082-1 / 01.02	MAT STATUS: 批量

DRFT: Liu Y	2024.05.30	NAME:	DHV2.5-PE-01P-1C-00A&Z(H)		
REV	ECN	DESCRIPTION	DRAWING NO. 200105160	TYPE CUSTOMER DRAWING	DRAWING STATUS 已发布

REV	ECN	DESCRIPTION	DRFT	DATE	SCALE	SHEET
04		Adding a rib for DFRSxx-5.2 bridge.	Liu Y	2024.05.30	1:1	1/1

Transfer or duplication of this document, as well as the utilization or communication of its contents are prohibited unless explicit authorization is granted. Violations will be liable for compensation. All rights reserved for patent, utility model or design registrations. 除单独许可外, 未经许可, 复制或传播本文件内容, 或在本文件内容基础上进行任何修改或设计注册, 均属侵权行为, 公司将依法追究。本公司保留所有权利。